

# INSTALLATION MANUAL

**VERSAL Insert 350 - 950 mm (Honeywell)**

**G20/G25/G25.3 (Natural Gas) G30/G31 (Propane-Butane/Propane)**



**Produced by:  
Planika Sp. z o.o.  
Bydgoska 38  
86-061 Brzoza  
Poland**

# **IT IS OBLIGATORY TO READ AND STORE THIS INSTALLATION**

## **MANUAL.**

### **TABLE OF CONTENTS**

1. INTRODUCTION .....	4
2. GENERAL INFORMATION .....	5
3. SAFETY .....	5
3.1. Safety instructions for VERSAL's fireplace installation .....	7
3.2. Safety instructions for the use of fireplace powered by gas cylinder.....	7
3.3. Safety sensors .....	8
3.4. Protection against backward chimney draft.....	8
4. UNPACKING.....	10
4.1 Table of the Elements: .....	10
5. INSTALLATION .....	10
5.1. Type of gas .....	10
5.2. Conversion to another type of gas.....	10
5.3. Gas connection.....	11
5.4. Electrical connection.....	12
5.4.1. Connecting additional lighting or other electric receivers.....	12
5.5. Placing the device .....	13
5.5.1. Placing device in optional casing.....	15
5.5.2. Device positioning.....	17
5.5.3. Placing the device under existing chimney or canopy.....	18
5.5.4. Proper positioning of the insert.....	19
5.5.5. Dimensions of the canopy.....	20
5.5.6. Placing the device in well-ventilated spaces.....	22
5.6. Flue gas exhaust system and combustion air supply.....	23
5.6.1. Air supply for the combustion process .....	24
5.6.2. Fireplace with open combustion chamber and mechanical ventilation.....	25
5.6.3. Discharge of combustion products - natural draught.....	26
5.6.4. Chimney draft pressure switch .....	27
5.6.5. Discharge of combustion products - mechanical draught .....	28
5.7. Distances of the exhaust outlet from the structural elements of the building .....	30
5.8. Placing decorative elements .....	33
5.8.1. Arranging decorative logs .....	34
6. CONTROL.....	38
6.1. Remote controls.....	38

6.1.1.	Remote control for the user. ....	38
6.1.2.	Orange remote control for the installer .....	38
6.2.	Alternative ways of control.....	39
6.2.1.	Wired connection.....	39
6.2.2.	The wireless connection through the protocol "Modbus" .....	40
7.	FINAL INSPECTION.....	41
7.1.	Gas tightness.....	41
7.2.	Gas Pressure.....	41
7.3.	Ignition of the main burner.....	42
7.3.1.	First ignition of the device after installation or after modifications.....	42
7.3.2.	The Hearth .....	43
7.4.	Flame.....	43
7.5.	Checklist .....	44
8.	MAINTENANCE.....	45
8.1.	Spare parts .....	45
9.	DELIVERY .....	45
10.	WARRANTY.....	46
11.	TROUBLESHOOTING.....	47
12.	RYSUNKI TECHNICZNE .....	49
13.	TECHNICAL SPECIFICATIONS .....	51
14.	ELECTRICAL DIAGRAMS.....	55
14.1.	Schematic diagram.....	55
14.2.	Wiring diagram of Decorative Fire Gas Transceiver DFGT .....	56
14.3.	Wiring diagram of gas controler ESYS.....	57
15.	CONTACT DETAILS OF THE MANUFACTURER .....	58

# 1. INTRODUCTION

The Planika company designs and manufactures gas heating devices that meet the highest standards of quality, efficiency and safety. The device has a CE marking, which means that it meets the essential requirements of the Regulation (EU) 2016/426 relating to Devices burning gas and compliant is with Standard EN 509: 2002 for Gas Appliances with Decorative Combustion Effect, and EN 778: 2010.

Each gas fireplace produced by Planika is subjected to factory quality control, during which it undergoes rigorous safety tests. Materials of the highest quality used for its production guarantee the user a smooth and reliable functioning of the device.

The device is delivered together with the instruction manual and assembly instructions. The assembly instructions provide the necessary information to install the device in such a way that it works properly and safely. In addition, you can find technical data about the device, information on its maintenance and possible failures that may occur, along with their possible causes and how to resolve them.

**WARNING!** The installer must be a certified and qualified specialist in gas heating and electricity and should have all the qualifications required by local law.

## CE Declaration of conformity

We hereby declare that both the design and construction of a gas heating device manufactured by Planika Sp. z o.o. (with registered office at Bydgoska 38 86-061 Brzoza Polska) meet the essential requirements contained in the Directive and the Ordinance on gas appliances.

**Product:** Gas device with decorative combustion effect with draft interrupter and atmospheric burner, discharging flue gas to exhaust duct (B11), with fan located behind the draft interrupter (B14), discharging the fumes with a separate flue pipe led over the roof of the building (B41) and with forced flow air led out above the roof of the building or through the external wall of the building (B44).

**Type:** SINATRA 800-2400, SINATRA CampFire, VERSAL 400-1000 in versions: LF, F, FR, LFR, T, W, RD

**Directives:** 2014/35/EU; 2014/30/EU

**Regulation:** 2016/426/EU

**Standards:** PN-EN 509: 2002/A1: 2002/A2: 2002; PN-EN 778: 2010; PN-EN 437 + A1: 2012; PN-EN 60335-2-102


Model	Versal Insert 350	Versal Insert 450	Versal Insert 550	Versal Insert 700	Versal Insert 750	Versal Insert 850	Versal Insert 950
Type	VEGA/200	VEGA/300	VEGA/400	VEGA/500	VEGA/600/	VEGA/700	VEGA/800
Series of types	VEGA/200/xx/M	VEGA/300/xx/M	VEGA/400/xx/M	VEGA/500/xx/M	VEGA/600/xx/M	VEGA/700/xx/M	VEGA/800/xx/M

\* xx - Type of glazing (LF, F, FR, LFR, T, RD, W)

The notified body: the Oil and Gas Institute - National Research Institute (Lubicz 25 A street, 31-503 Kraków, Unit number: 1450) carried out and on 09.10.2018 issued the certificate no. GAR1450CT0048 for the above mentioned devices.

The company's quality control system guarantees that the mass-produced devices meet the essential requirements of the applicable Directives and Regulations as well as the standards contained therein. This Declaration is annulled if any modifications are made to the device without the prior written consent of Planika.

Brzoza 02.02.2018

  
**PREZES ZARZĄDU**  
Jarosław Dąbrowski

Chairman of the Board  
Jarosław Dąbrowski

## 2. GENERAL INFORMATION

Gas fireplaces VERSAL are devices with an open chamber and a decorative combustion effect with a nominal thermal load not exceeding 20 kW (Hi), which use the highest class advanced automation to control the gas valve. The appliance complies with European directives regarding safety, the environment and energy consumption. The air needed for the combustion of gas is supplied to the furnace from the outside and the gases generated during the combustion process are discharged outside the building by an insulated flue pipe. The safety of the entire system is controlled by a series of systems and a draft interrupter with a thermal sensor, which will switch off the device in the event of detecting a blocked chimney. Additionally, in order to ensure proper chimney draft, the device can be installed together with an exhaust fan equipped with a vacuum sensor, which after detection of appropriate strings will allow the fan controller to start the fireplace and in conditions of insufficient chimney draft will increase the fan speed or turn off the whole device. This provides the user with 100% safety, making the fireplace completely independent of the weather conditions and type of ventilation installed in the building.

Gas fireplaces VERSAL are decorative appliances intended for indoor use only and can be supplied with natural gas or liquefied propane or propane-butane gas. The devices can be installed in many different ways (including installation with or without glass or optional casing), thus adapting to any installation variant, so as to be able to fully meet the requirements of even the most demanding customers. Regardless of the variant and the length of the VERSAL fireplace, they are equipped with automation and protection of the same type, and the way of their connection to the gas system and the chimney system is identical. The user can also choose a variant of the fireplace interior design, and the control can be carried out by using remote control attached to the device or through the intelligent building automation system.

## 3. SAFETY

**WARNING!** It is mandatory to make sure to carefully read the installation manual and user manual before beginning of installation and operation of the fireplace series VERSAL. This manual should be retained for the life time of the device.

**WARNING!** The device must be installed in accordance with the relevant national and local regulations. Connection to the flues, wall and roof passage as well as all elements used to install the fireplace should be made in accordance with existing norms of the national building legislation.

To ensure the secure installation and perfect operation of the device, observe the following precautions and adhere to the following safety rules:

- Read installation manual and user manual before installation and first use of the device.
- The device can be installed and serviced only by certified and skilled professional specializing in the field of gas heating and electricity.
- Installation of the unit must allow easy access to all components subject to maintenance and service, and to allow free access to the components of the system closing the front glass (if installed).
- Do not use the device before you fully install it in the chosen destination.

- Fireplace series VERSAL should be monitored at least once a year in accordance with this installation manual and as well as all applicable national and local regulations concerning safe installation and use of gas appliances.
- Make sure that the information on the nameplate are consistent with the local type of domestic gas and pressure.
- Do not change the structure of the device and its sealed components or modify the default settings of the fireplace.
- Do not place extra decorative accessories (other than those supplied with the unit) or the glowing coals on the burner or in the combustion chamber.
- The components of the control system with the gas valve cannot be exposed to moisture.
- Carbon dioxide (CO<sub>2</sub>) or powder extinguisher must be placed near the unit.
- Before connecting the device you should familiarize yourself with all connecting schemes (including electric), set out in the manual.
- The first time you turn on the fireplace VERSAL, it is necessary to use it at the maximum level of the flame for a few hours so that the elements warm themselves, and possible small residues of paints, coatings and lubricants will evaporate.
- During the first hours of use of the device, additional ventilation and ventilation of the room is recommended, to quickly remove the characteristic smell fire resistant paint.
- **WARNING!** When you first start your device, the installer should perform the leak test on all gas connections, check the connections of all elements of the system (including the proper connection to the concentric air combustion system) and check the correct operation of all the items, in particular system of ignition and flame failure protection system.
- Do not move the device during its operation.
- The surface of the fireplace series VERSAL may strongly heat up during use - up to more than 100 °C . **WARNING!** Accessible parts of the devices, including the glass, can become very hot. You absolutely must protect children from contact with the working device!
- In case of failure of the glass panes, please contact your service provider or distributor.
- The device should be installed away from flammable materials.
- All metal parts of the fireplace series VERSAL are constructed of materials resistant to rust or covered with corrosion coating.
- Never leave the fireplace VERSAL unattended (as in the case of any other type of fireplace or fire in the room). Fireplace series VERSAL should be installed out of reach of children, unauthorized persons and animals so direct contact with hot parts of the fireplace is not possible.
- In case of feeling any gas leaks, immediately turn off the fireplace and, depending on the type of fuel, close the main valve on the gas cylinders LPG or close the valve supplying natural gas to the device. You should also ventilate the room in which the fireplace is installed and contact the service staff.
- If the unit is not used for a long time, depending on the type of fuel, close the main valve on the LPG cylinder or close the valve supplying natural gas to the device.

### **3.1. Safety instructions for VERSAL's fireplace installation**

- For installation of exhaust flue, you should only use the system supplied by the company Planika.
- For the construction of fireplace housing equipment use only non-flammable materials (e. g. non-combustible and heat-resistant plates or materials made of stone). Non-combustible materials must be used to complete both external as well as internal part of the housing, and for completing the wall, at which the device will be placed.
- Strictly follow the minimum distance between non-combustible walls of the housing and the device.
- To improve the circulation inside the unit and to reduce the risk of overheating of its walls (including the wall, which the device was placed on), you must comply with the distances shown in the mounting drawings.
- Use the electric wires in high-temperature insulation, and place them away from the hot parts of the fireplace and installation items.
- Combustible materials should be placed no closer than within 1 m from the unit.
- Only decorative accessories attached to the device by the manufacturer should be placed on the hearth (logs, stones, vermiculite or ash imitation). These accessories should be installed as described in this manual. Incorrect placement of decorative materials may result in shortening the useful life of the hearth and its damage.
- **WARNING!** Make sure you don't place any decorative elements around the ignition and ionization electrodes.
- **WARNING!** Before installation, ensure that the local distribution conditions (identification of the type of the gas and pressure) and the adjustment of the appliance are compatible.

### **3.2. Safety instructions for the use of fireplace powered by gas cylinder**

- Use only the type of gas and pressure specified on the label by the manufacturer.
- Gas cylinders should always be in an upright position - both during use and transport.
- A storage of the gas cylinder should be located in a place easily accessible to allow its immediate closure.
- During installation, never approach the gas flame or any other source of fire.
- Gas cylinder should not be closer than 1.5 m from the fireplace VERSAL.
- Any leaks should be located using a mixture of water and foaming cleaning fluid. The resulting air bubbles indicate a leak.
- Always use a pressure reducer between the cylinder and the device. Replace pressure regulator at least every 5 years. Permissible pressure: 30mbar, 37mbar (recommended), 50 mbar. Use only regulators that meet the requirements of European Standard EN16129.
- Use only approved and certified cables connecting gas (flexible hose). Replace them at least every 2 years.
- Flexible hose supplying gas to the unit should be located away from sharp edges and hot surfaces. Avoid bends and twists of flexible connections along the whole length.
- Note that the gas cylinder LPG should be installed in well-ventilated areas. LPG gas is heavier than air and its accumulation on the substrate can lead to the formation of explosive mixtures.

- Optional housing, which cylinder of LPG will be placed at, must have adequate ventilation. It must have an upper ventilation opening above the top of the cylinder (with min 1/100 base surface of the installation) and a lower vent opening at its base (with min 1/50 base surface of the installation).
- Turn off gas cylinder, if the device is not in use.
- Filling the gas cylinders should only be done at certified gas filling stations.
- Exchange of empty bottles for full should take place only at authorized points.

### **3.3. Safety sensors**

Planika fireplaces are equipped with advanced safety sensors detecting hazards related to the presence of carbon monoxide (CO) and gas (LPG or natural gas, depending on the device category). In the event of any danger, the sensor will automatically turn off the fireplace and, additionally, it will inform the user about the threat detected by sound signals. Restart of the device is possible after removing the cause of the CO and gas sensor activation. Detailed assembly instructions, wiring diagram and operating instructions are supplied with the sensor.

### **3.4. Protection against backward chimney draft**

All Versal Insert series fireplaces are equipped with a draft pressure sensor which shall be installed at the inlet to the flue pipe (chimney). It prevents operation of the device in case of blockage or complete block of the flue pipe. It prevents the fireplace from being used when there is a backward draught and a dangerous release of smoke and combustion products, including carbon monoxide, which is the most dangerous for human and animal health and life, into the room where the fireplace is installed. Reverse draught occurs when air enters the room through the flue pipe due to ventilation disturbances in very airtight buildings. The air is sucked in through all other available ducts, including those for combustion and ventilation purposes, instead of through dedicated air supply ducts. Backward chimney draft can also be created in the case of mounting, in buildings where open combustion chamber devices are used, mechanical exhaust ventilation, including kitchen hoods. In this case, backward chimney draft occurs when the efficiency of the exhaust fan (e.g. in kitchen hood) exceeds the efficiency of micro ventilation in the room, and the resulting negative pressure leads to the intake of air through the combustion ducts.

When backward chimney draft appears, or if the chimney is blocked, the flue gases flow into the room through the open combustion chamber. In such a case, when the fireplace starts up, hot and light exhaust fumes are blocked and the pressure sensor will be activated if the disturbed chimney draft drops below required minimum level (15 Pa).

It results in the interruption of the device operation.



In this case, the fireplace will automatically switch off and error code **F08** will appear on the remote control. The unit can be restarted after the cause of the backward chimney draft or blockage of the flue pipe have been eliminated.

**WARNING!** In case of repeated operation of the spillage monitor, a specialist should be informed.



**WARNING!** In the case of repeated operation of the spillage monitoring system, please inform a specialist.

**WARNING!** The spillage monitoring system shall not be adjusted by the installer.

**WARNING!** The spillage monitoring system shall not be put out of operation.

**WARNING!** When the spillage monitoring system, or any of its parts is exchanged, only original manufacturer's parts shall be used.

## 4. UNPACKING

**WARNING!** Prior to installation refer to the instructions included with the device and check the completeness of the elements on basis of table of the elements.

### **4.1 Table of the Elements:**

- 1 x complete gas fireplace
- 1x installation manual
- 1x user manual
- 1x remote control
- 1x power cord ended up with cube
- 1x gas sensor and CO sensor
- 1x set of ceramic logs

After receiving the unit:

- Carefully remove the packaging of each item.
- Remove all delivered components which have been placed inside or under the device for the time of transport.
- Remove all the screws and brackets, which are used for attaching the device to the pallet.
- Inspect the device and accessories for possible damage caused during transport.
- Contact your dealer if any item from the package is damaged or found to be missing.
- Never start the installation, if the device is damaged.
- The packaging should be disposed in accordance with local regulations.

## 5. INSTALLATION

**WARNING!** The installer should be certified and qualified professional in the field of installation of gas and electric. The device must be installed in accordance with the relevant applicable national and local regulations and to follow the rules or instructions contained in this installation manual.

**WARNING!** The device must be installed in accordance with applicable national and local regulations and the rules or instructions in this installation manual must be observed.

### **5.1. Type of gas**

Before installing, make sure that the data on the rating plate comply with the local type of domestic gas and pressure, and are in accordance with the type and pressure of gas in the target site. On the rating plate, which is located on the shipping box and next to the gas assembly, you can find type and family of the gas, the gas pressure and the country the device is intended for.

### **5.2. Conversion to another type of gas**

Conversion of the device to another type of gas can be made only by replacement of the entire main hearth to another suitable for the new type of gas. The conversion can be done only by an authorized gas installer. To do this, contact the distributor. When ordering, always specify type and serial number of the device.

**Warning!** You should never connect any device adapted to the combustion of liquefied gas to the gas network of natural gas and vice versa.

### 5.3. Gas connection

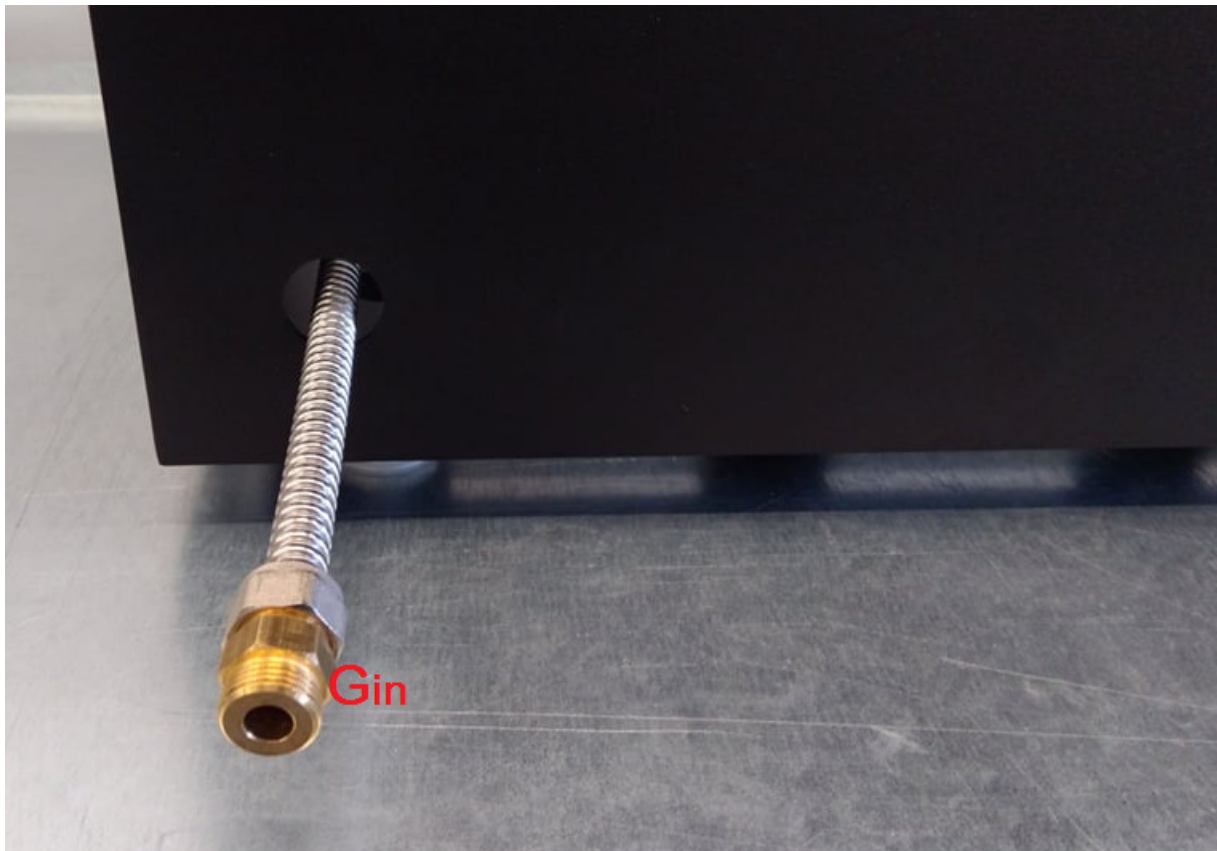
Gas control system used in a series of VERSAL meets the requirements for appliances burning gaseous fuel contained in Directives 2009/142/EC, Regulation (EU) 2016/426 and standards EN 298, EN 55014-1, EN 60730-1, EN 60335.

First and foremost, make sure that the connecting device is designed to supply a gas suitable for the type placed in the gas installation. All necessary information regarding the desired parameters of the gas are found on the rating plate of the device. Before connecting the gas supply, it is necessary to blow them to remove any remaining metal filings and other contaminants from inside. Automatic gas control system should be protected from moisture and dust. These factors may cause irreparable damage to the individual components. The pipe supplying gas to the fireplace should be equipped with a ball valve with a diameter of 1/2 inch. The individual elements of the gas installation cannot be sealed using Teflon tape or PTFE tape.

The gas valve on the gas pipe must be installed in accordance with applicable national regulations. Before connecting the gas, make sure that the gas pipes and connections have no dirt. **Gas connection "Gin" is finished with external thread 3/8" located on the back side of the fireplace.**

Regarding gas connection, the following requirements shall apply:

- You must use the gas pipe with the correct dimensions, so there are no pressure loss.
- Ball gas valve should be installed in an easily accessible place and have the necessary CE mark.



*Photo 1 - Gas Connector*

## **5.4. Electrical connection**

Fireplaces VERSAL requires connection to the mains 230V and should be connected by a person with the appropriate permissions. Remember to use electric cables in the heat-resistant insulation and place them away from the hot parts of the fireplace and installation elements. Electrical components of the gas valve control unit are sensitive to dirt and dust generated during the assembly process of making fireplace housing. Remember to protect against dust and moisture, all electrical components of the fireplace until their final assembly. The electrical connection is completed with triple cube (L, N, PE)

**WARNING!** Power must be connected only after connecting the air combustion system with all elements of the gas control system.

### **5.4.1. Connecting additional lighting or other electric receivers**

Electronics that control the gas valve gives you the ability to connect an optional lighting (for example, to highlight the interior of the housing) and allows you to control it from the remote control and automation of intelligent building. The exact description of additional lighting control (or other electrical receiver) is described in the user manual.

A built-in relay "L" can be used to control any AC receiver (AC 230V/0,5A). The relay has neutral polarity.

Connector "B" can be used to connect additional ambient light (max 230V AC/0,8A)

Connector "M" can be used to connect an optional convection fan.

Connector "D" gives the possibility to use an alternative method of controlling the fireplace (as described in section 6.2.1). and integrate it through a wired connection with Smart Home System.

Connector "F" is used to connect the fan (with feedback to the driver), mounted on the air combustion wire, supporting the chimney draft (max 230V AC / 0.8A). This connector cannot be controlled with the remote control and operates independently from the user. **This connector is not active.**

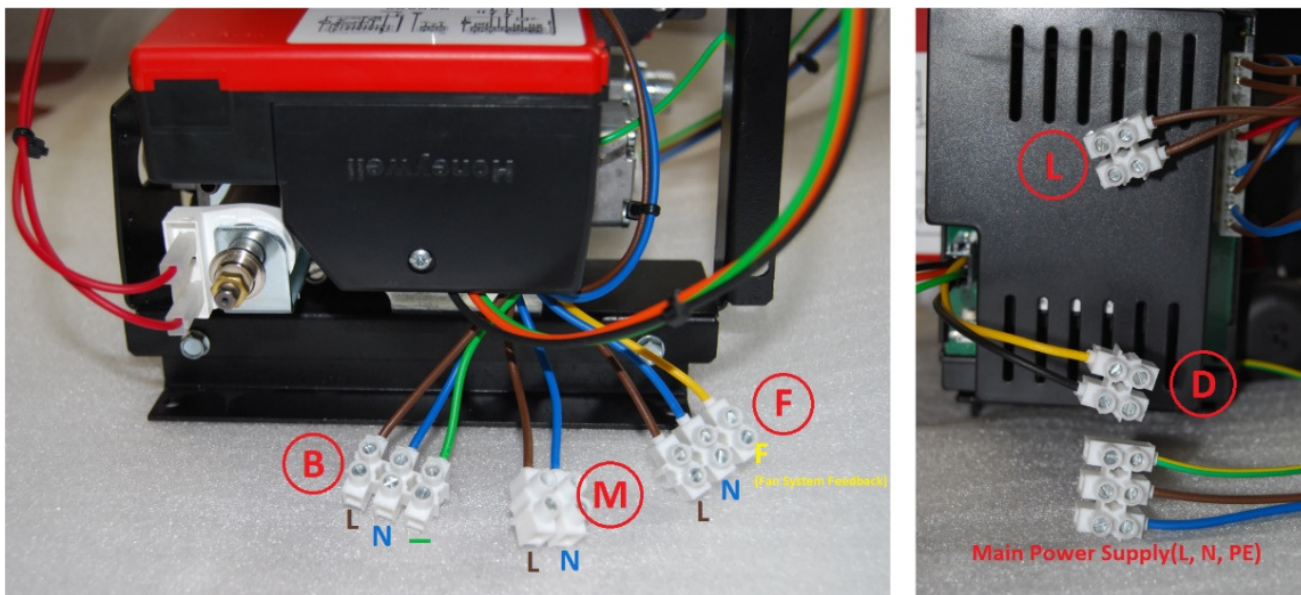


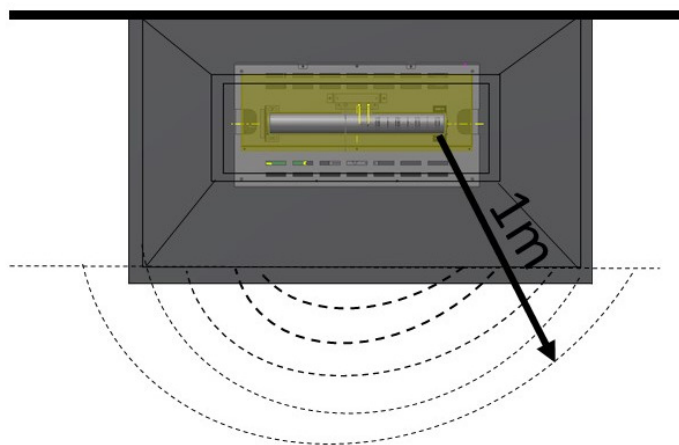
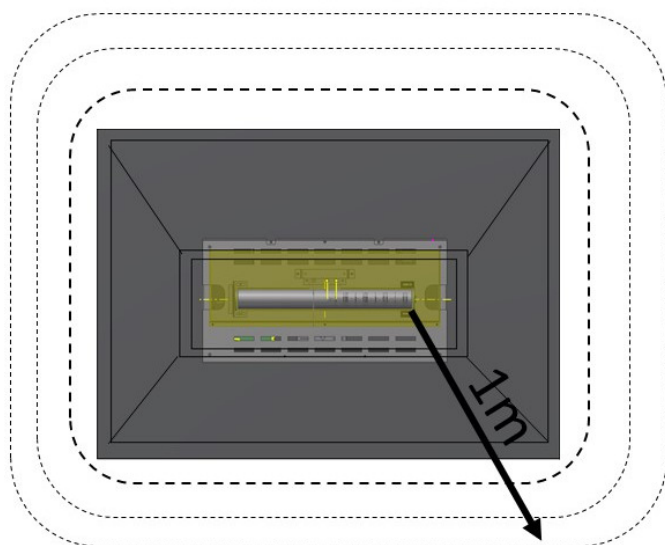
Photo 2 - Diagram of electrical connections

### 5.5. Placing the device

Before connecting the device to gas and concentric flue system, it should be thoughtful to choose the place of its detention and place it in such way, so that the flue system have the minimum number of bends. This will ensure adequate chimney draft and adequate circulation inside the combustion chamber. It is also important that after you connect the fireplace to a gas pipe, flexible connecting wires are not exposed to excessive twisting and are located away from hot parts.

By acceding to the installation of the unit, particular attention should be paid to:

- The unit was located at a minimum distance of 1m from objects or flammable materials.



- The device was **minimum** 50 mm away from the non-flammable housing elements and the **minimum** distance between the device and the back wall was not less than 50 mm.

Before performing the installation, protect the elements of the gas control system from dirt. Installation of the fireplace, according to current building regulations should be made of non-combustible materials (including floor and ceiling). If the fireplace is powered by natural gas (NG), exhaust grille should be placed under the ceiling of the room where the device is installed. Power liquid propane - butane (LPG) requires from the installer placing the exhaust grilles next to the floor, above ground level in the room in which the device is installed.

To perform the installation of the fireplace housing, you should use non-combustible and heat-resistant materials, including its upper part, material in its interior and behind the device.

**WARNING!** The device must not be used as a supporting construction - it cannot keep the weight of the fireplace wall.

**WARNING!** If the device is built into the floor (only in the case of natural gas), you must take into account the minimum distance from flammable material floor finish. It is prohibited to build in LPG-powered device into the floor.

**WARNING!** You should follow the recommended minimum dimensions of the housing.

During construction of fireplace housing, you should consider the following:

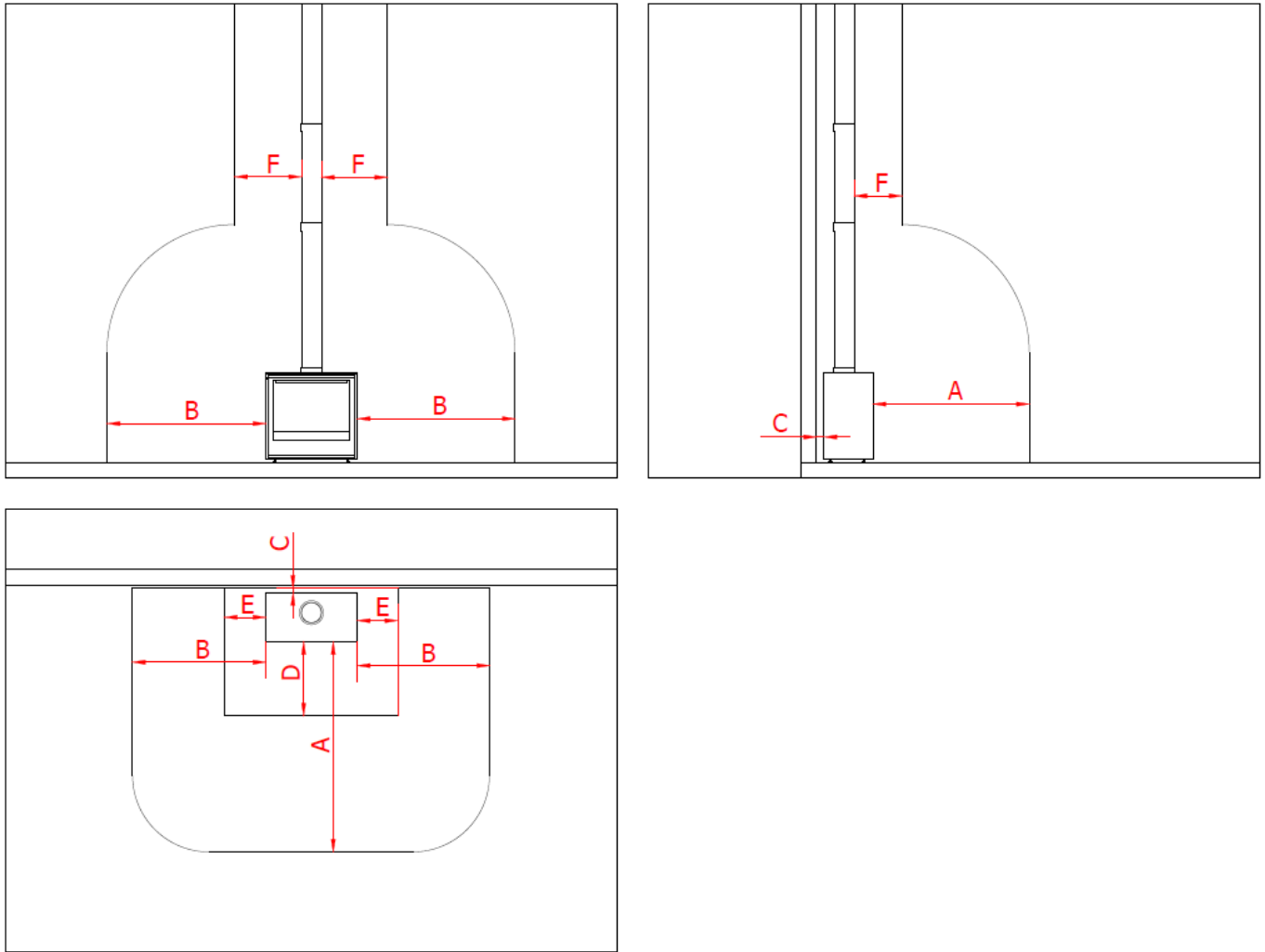
- Front hole of the fireplace housing must allow easy installation and removal of the front glass (if installed) after placing the fireplace wall.
- Secure the gas assembly and gas pipes against contamination.
- Do not apply the plaster directly on the mounting frame nor on the edges, because the high temperatures generated by the device can cause cracks and it may not be possible to assembly or disassembly of the front glass.
- In case of using stone materials and/or gypsum plasters, to prevent the occurrence of cracks, leave fireplace wall to dry for at least six weeks before putting the unit into service.

**WARNING!** Before closing the fireplace wall completely, please ensure that:

- Flue system has been places correctly.
- Channels and any connecting terminals, which will not be available after installation, are mounted correctly by using self-tapping screws.
- Do not insulate the appliance.
- Flammable materials, such as curtains, should not be placed in the vicinity of the gas fireplace. Minimum safe distance: 100 cm.
- Position the appliance at least 10 cm above the floor height. If the appliance is fitted less than 10 cm from the floor, then it will require a hearth to protect the floor. The hearth should have a minimum dimension of 12 mm thick, laying completely under the appliance and projecting 30 cm in front and 15 cm either side of the appliance.
- A hearth is not required with a noncombustible floor.

Ensure that the temperature of the floor under and in front of the appliance can never rise above 85°C

### 5.5.1. Placing device in optional casing



Picture 1 -Minimum required distances between non-combustible building elements and the device

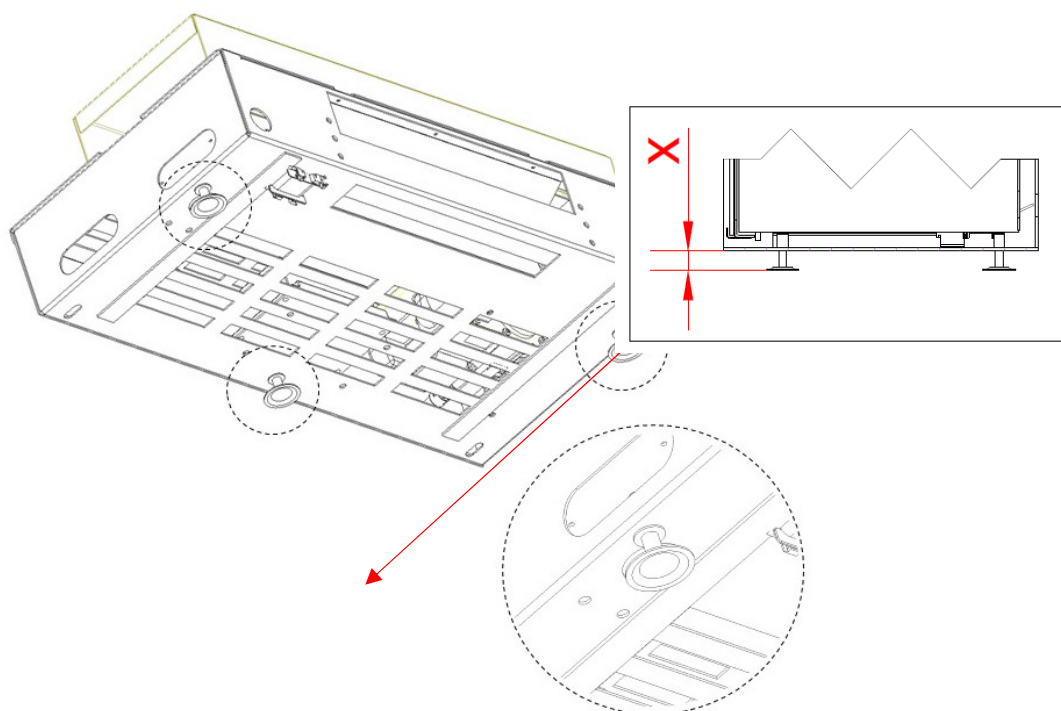
Label	Flammable materials		Nonflammable materials
	Minimum distance [mm]	Remark	Minimum distance [mm]
A	1000		500
B	500		50
C	300	Minimum distance to a flammable wall may be reduced to 50 mm when a nonflammable insulation plate (12 mm thick) is placed between the appliance and rear wall. The insulation plate should have the same size as the full back of the appliance.	50
D	300	Install a nonflammable hearth (floor stone) when the appliance is placed on a flammable floor. The height of the hearth must be minimal 20 mm	0
E	100		0
F	300		50



**WARNING!** Make sure that flammable materials near the appliance can never reach a temperature above 85 degrees centigrade.

- Outlet pipes were installed according to the manual.
- The wall, before which the device will be placed at, was made of non-flammable and heat-resistant material.
- The unit was in a stable position and was placed on a flat leveled base. This will be particularly important if the adjustable feet attached to device, will be extended to its maximum height, or when the device is sited in additionally elevated foundation. **WARNING!** Precise leveling the ground and the body of the fireplace will ensure the stability of the device.
- Minimum structural dimensions of the fireplace housing have been preserved.
- Gas pipeline together with the installed gas valve was supplied at the place of installation.
- Create an opening for the needs of combustion system with the following diameters:
  - pipe diameter +100 mm for the needs of the channel passing through combustible material;
  - pipe diameter +600 mm for needs of the channel passing through combustible material;
  - **WARNING!** We recommend using insulated flues.

**The device should be installed on a stable non-flammable surface.** Device is equipped with a special feet with the possibility of adjusting their height „X” (in range of 10-20mm) which are used to level the device. It is forbidden to install gas insert without a minimum distance from the rear or side wall. The assembly is allowed only vertically.



Picture 2 – Leveling and regulation



### 5.5.2. Device positioning

Before installing the device installation a trial evacuation of combustion products clean the existing chimney according to the national regulations. When installing, **NEVER** use accessories or component parts not approved by the Manufacturer, as these could be very dangerous. **DO NOT** allow the power cable to come into contact with hot surfaces such as, for example, the air vents or fume exhaust pipes. After installation, the fitter is obliged to inform the user what to do during appliance operation:

- NEVER place curtains, towels and the like on the appliance as this could be the cause of malfunction and danger and prevent the correct circulation of air in the room.



- DO NOT obstruct the suction/exhaust ends of the appliance with washing put out to dry or carpets

Before proceeding with the masonry works, make sure the floor has adequate load-bearing capacity and that there is room enough for the correct operation of the gas Appliance as well as its maintenance. Make sure the wall on which the appliance is fastened is able to support its weight. Make sure there is no wood matchboard, plastic material, etc., that is not heat resistant.

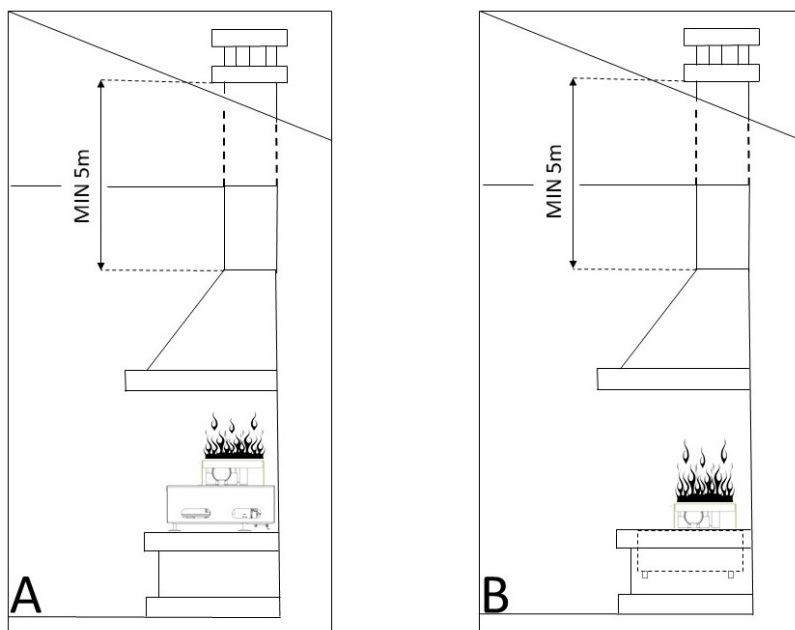
**WARNING!** It is forbidden to install the Appliance in spare bathroom areas or close to water dispensers. These particular installations require special protections in compliance with applicable Electric Safety standards.

**WARNING!** This device must be installed according to the rules in force and used only in an adequately ventilated. See the instructions before installing and using this appliance indoors or outdoors.

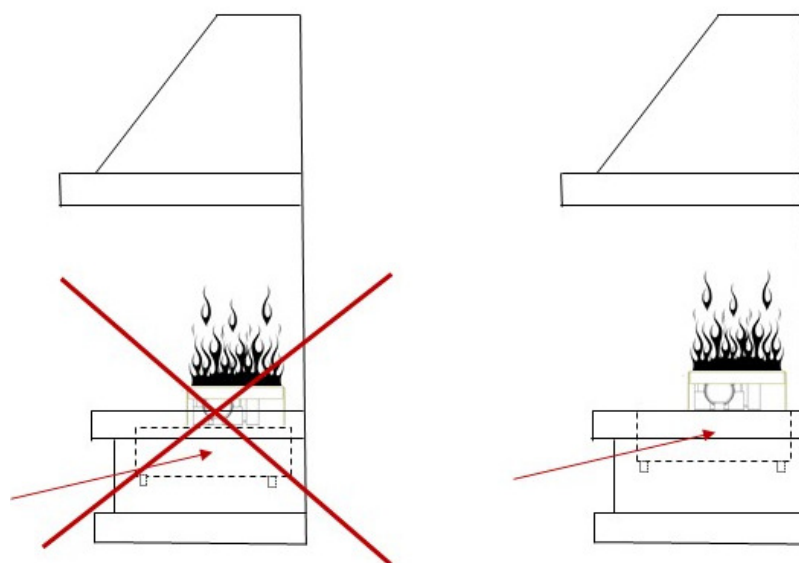
### 5.5.3. Placing the device under existing chimney or canopy

This type of device can be installed under an existing chimney or under newly constructed canopy constructed according to the size of the desired pattern or the available space. In both cases, the device can be installed (indoors or in good ventilated spaces) in two modes, depending on technical or aesthetic:

- **A - placed on the furnace.** In this case the device is simply supported and leveled horizontally, thanks to adjustable feet. Once positioned, verify that the device is not easily movable, so as to prevent an accidental release of gas supply pipe.

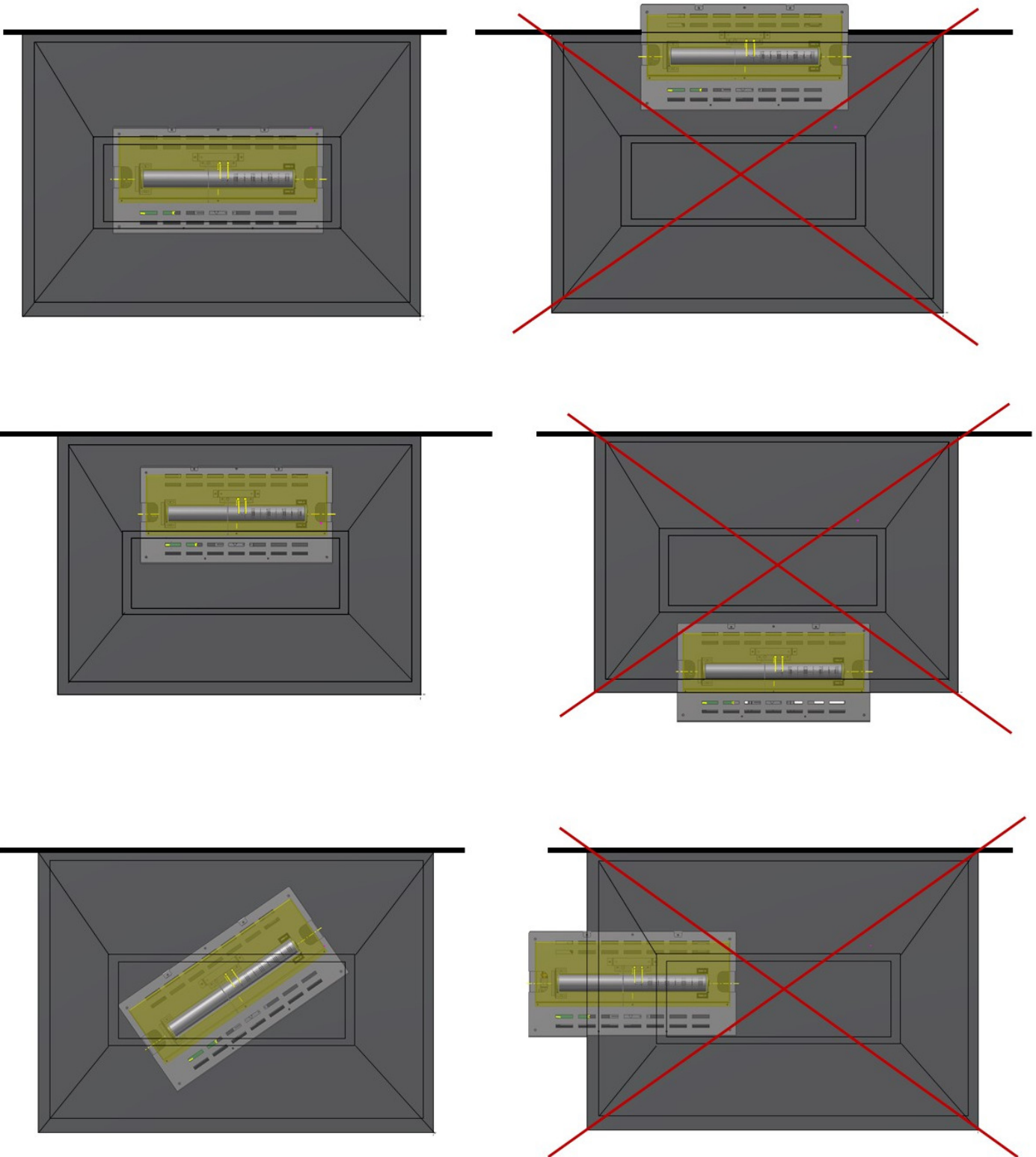


- **B - built-in fireplace.** In this case the unit is recessed in the floor of the firebox and leveled horizontally, thanks to adjustable feet. Connect the gas valve to the gas supply with a hose so as to allow the adjustment or the possible replacement in case of failure.



#### 5.5.4. Proper positioning of the insert

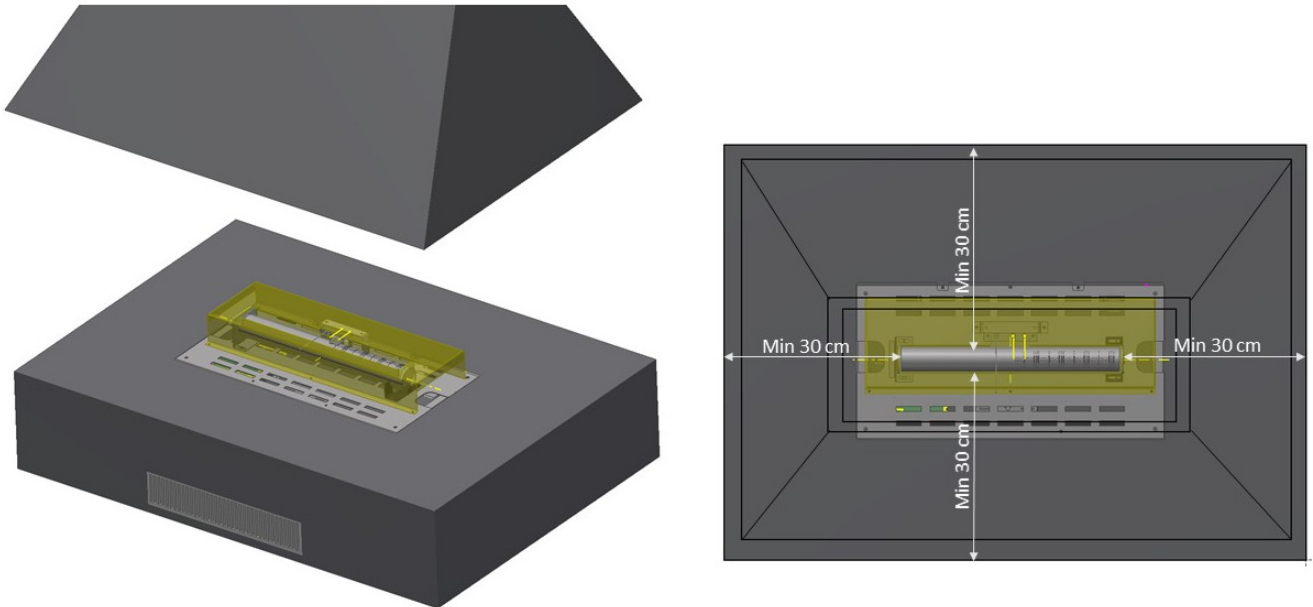
- Do not install the device out of the canopy range so that any vapors are not properly evacuated through the chimney



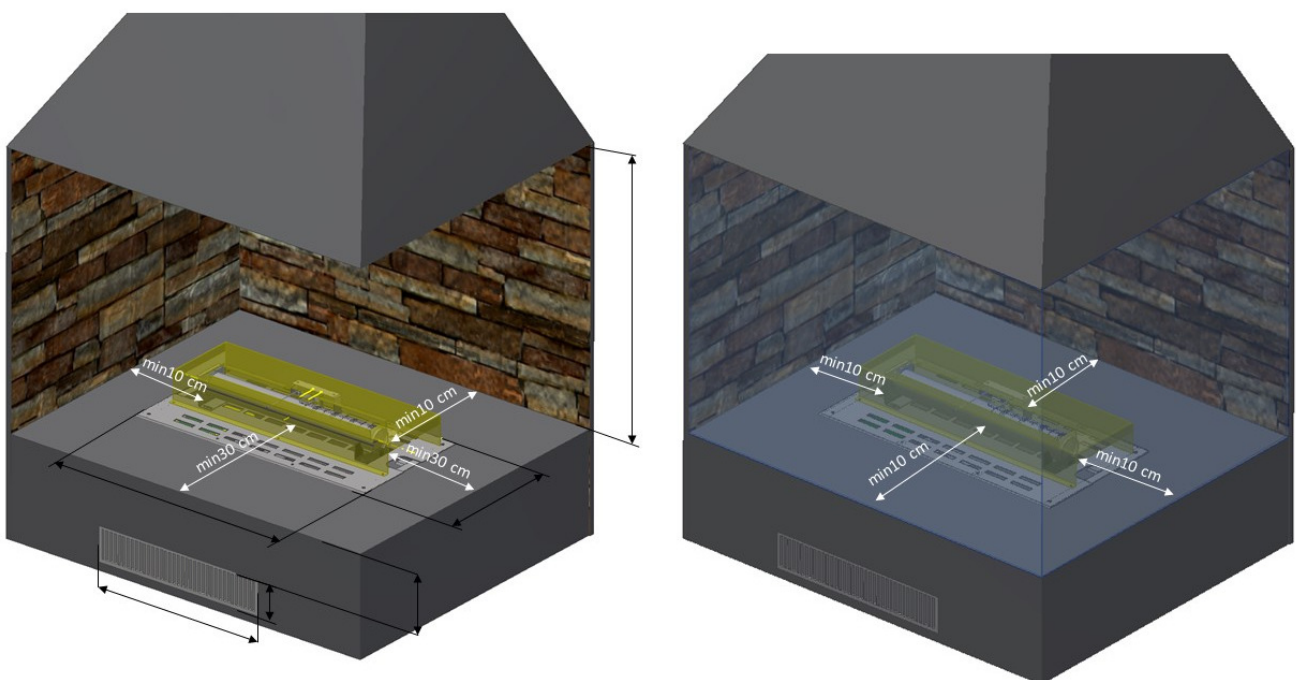
### 5.5.5. Dimensions of the canopy

The dimensions of canopy under which the gas insert can be placed are regulated by the European norm and are determined by the length and shape of the line of fire and by presence of the surrounding glasses or walls.

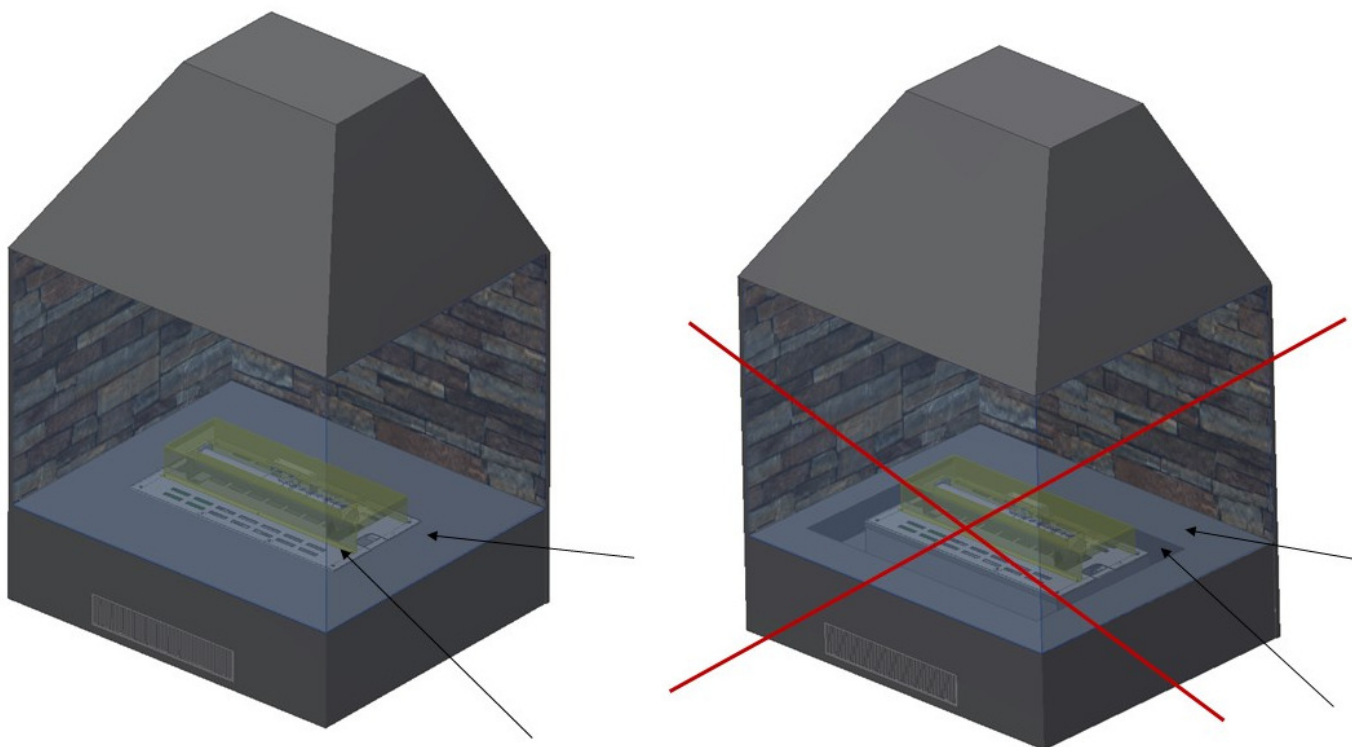
- Distances from the line of the fire not surrounded by any walls or glasses



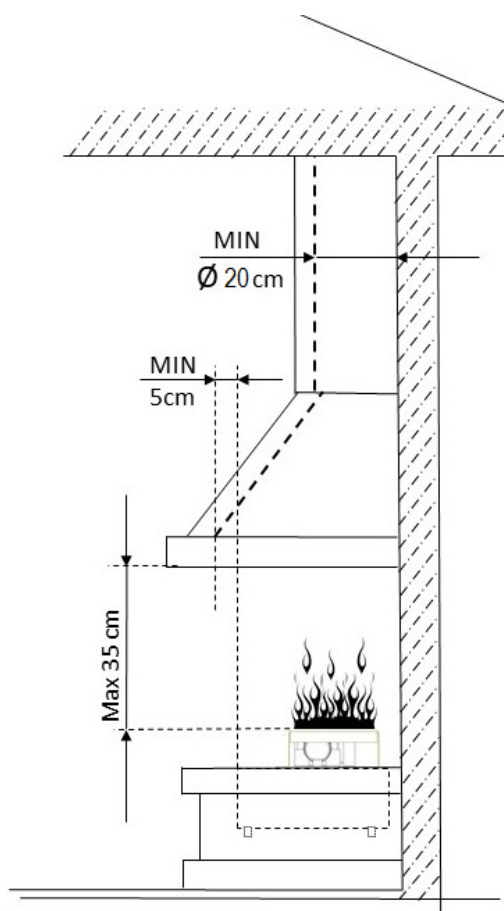
- Distances from the line of the fire surrounded by walls or glasses



- In the recessed type, the device should never be placed below the floor of the firebox to prevent its malfunction, overheating and damage its components



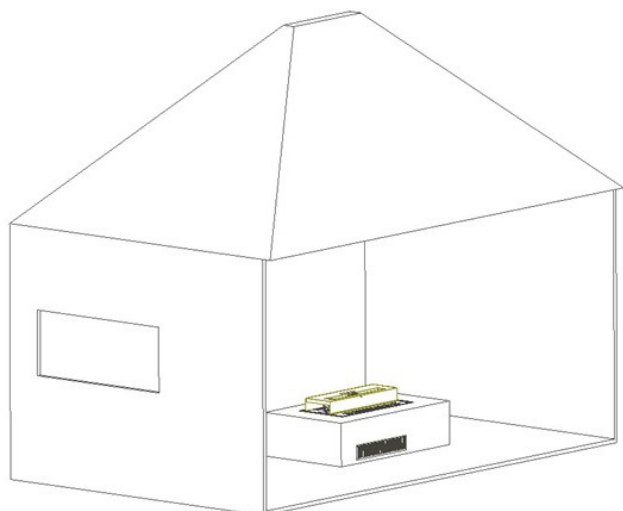
- Distances between device and the canopy



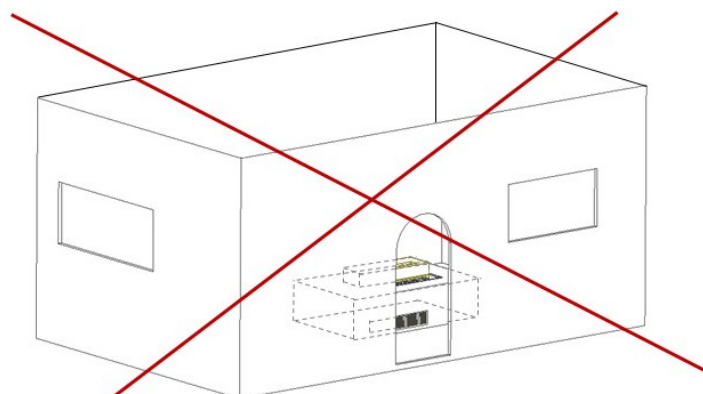
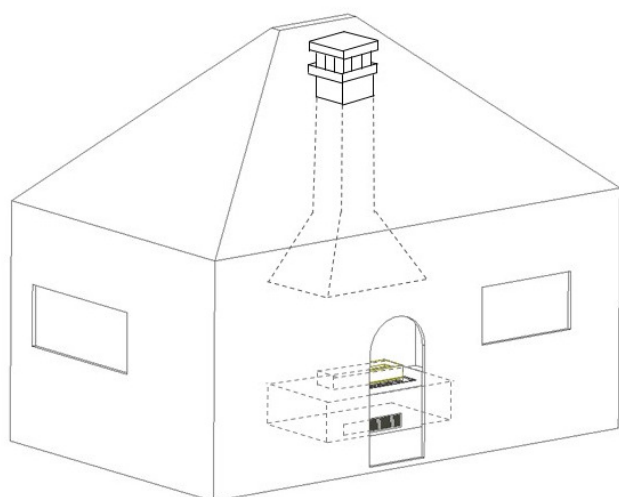
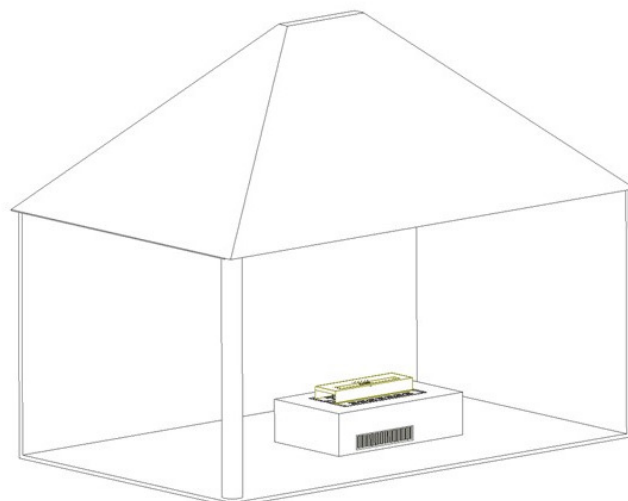
### 5.5.6. Placing the device in well-ventilated spaces

If the device is installed in good ventilated spaces, this appliance does not need a chimney for its operation but shall be protected against bad weather conditions (rain and humidity). Good ventilated spaces must have opened at least 25% of the walls surface. When it is not in use, protect the burner with the cover. The lid can only be used if the burner is off and the appliance is completely cold.

**WARNING!** If the device is installed in spaces closed with the all walls and the roof is shall be places under canopy.



25%





## 5.6. Flue gas exhaust system and combustion air supply

VERSAL fireplaces usually use conventional combustion tubes for normal operation (**not** coaxial air exhaust systems). It is recommended to use insulated combustion tubes to avoid excessive cooling of the flue gas and creating an undesirable effect of condensation.

**WARNING!** If the appliance is going to be connected to the existing chimney, it must be swept before the appliance is installed and the flue test in accordance with national regulations must be carried out.

**It is essential to bring fresh air from outside** the building for every insert with an open combustion chamber to avoid disturbance of ventilation and air flow in the room in which this type of fireplace is installed. This is due to the fact that open gas insert takes in a large amount of combustion air (for example: to burn 1m<sup>3</sup> of gas, 11m<sup>3</sup> of fresh air is needed). In addition, unburnt air is sucked in with the exhaust gases (not taken in the combustion process), which, as a result of the natural draught caused by the difference in internal and external temperatures, is discharged outside.

The following table shows the diameters of the flue pipes as well as the diameters of the supply openings depending on the length of the fireplace:

Model	Diameter of the chimney [mm]	Min. Diameter of fresh air intake [mm]	Min exhaust fan efficiency/ balanced inflow of fresh air [m <sup>3</sup> /h]
VERSAL Insert 350	200	200	100
VERSAL Insert 450	200	200	150
VERSAL Insert 550	200	200	200
VERSAL Insert 700	200	200	250
VERSAL Insert 750	200	200	300
VERSAL Insert 850	200	200	350
VERSAL Insert 950	200	200	400

*Table 1: The dimensions of the devices and the diameter of the flues*

- **WARNING!** If the device is to be connected to an existing chimney, it must be thoroughly cleaned before installing the device and it must be inspected in accordance with the applicable national and local regulations.
- **WARNING!** The chimney should be checked regularly to ensure that all combustion products are entering flue or canopy, as applicable, and that there is no excessive build up of soot.
- **WARNING!** Debris from any source or any soot formed shall require removal by qualified service personnel or chimney sweep.

### **5.6.1. Air supply for the combustion process**

The air necessary for the combustion process and the creation of a gas-air mixture should be brought under the fireplace stove insert via a duct to the base of the place where it is installed. The air can be led through a separate space under the fireplace. (e. g. a basement) or through an air channel passing directly through the outer wall of the building. **There is no need to connect the air duct directly to the fireplace.** Due to the vacuum generated in the chimney and the difference in temperature, air vents symmetrically located in the base of the fireplace stove enter the combustion chamber and the flue gases are thrown out through a correctly installed flue pipe.

- **WARNING!** Any purpose-provided ventilation should be checked regularly to ensure that it is free from obstruction.
- **WARNING!** Ventilation system in the room where the device is installed should be checked regularly to ensure that it is free from obstruction.

Insufficient amount of the air supplied to the fireplace is the most common reason for its malfunction. Modern houses are very airtight and old houses are insulated and sealed, so it is not possible for the fireplace to take enough air for its proper functioning, but they need to be fed specifically through a separate duct.

**WARNING!** In case of smaller fireplaces (up to 7 kW) it is acceptable that the fireplace draws fresh air directly from the room in which it is located, but it is necessary that at the same time the same amount of air that will be discharged through the chimney system together with the exhaust gases is supplied to this room (see Table 1). A ventilation grate should be placed in the lower part of the fireplace housing and the fresh air intake into the room, where the chimney is installed, should be placed as close as possible to the place of installation. However, this type of combustion air supply cannot be used in all cases. This is regulated by separate local building regulations (see Section 5.6.2.).

#### **In order to properly supply fresh air to the combustion process, it is necessary to:**

- Make sure that the external air supply duct is airtight, insulated and fitted with a damper blade to prevent heat loss when the fireplace is not in use;
- Make sure that the air inlet ducts are as smooth as possible and that they are thermally insulated if they pass through cellars (condensation);
- Use as few bends as possible to decrease airflow resistance. Do not draw air into the fireplace from active or closed ventilation ducts (very high air flow resistance).
- Remember that air should not be taken from the garage, cellar or street side, as dust and unpleasant odours will flow into the room with it. It is best to take the air from the western direction, from which (e. g. in Poland) the wind blows most often. If the inlet is located on the leeward side, there may be a vacuum in the supply air duct on windy days and air may be drawn from the fireplace instead being supplied to the fireplace.
- Place the air inlet outside the building at a height of at least 1 m above the ground (in order not to draw in dirty air). It shall end with a ventilation grille to prevent rodents from entering.



### **5.6.2. Fireplace with open combustion chamber and mechanical ventilation**

During operation, a fireplace with an open combustion chamber draws in air from the entire surface of the fireplace hole. The demand for them is therefore enormous, but only a part of the air is directly involved in the combustion process. As a result of the temperature difference (and consequently the natural draught in the flue pipe), the air flowing through the fireplace stove is discharged to the outside. According to current standards, in order to ensure proper working conditions for fireplaces with open chamber, it is necessary to bring in sufficient amount of air, so that the speed of its flow through the combustion chamber is not less than 0.2 m/s. This is the minimum flow rate to ensure safe evacuation of combustion products through a suitably selected (height and cross-sectional) natural draft flue.

It is important to remember that the devices installed in the room, in particular those which consume air (such as fireplaces), must not cause any disturbances limiting the effectiveness of ventilation. Therefore, in a room with solid or liquid fuel fireplaces or **gas appliances that draw combustion air from the room and have a gravitational exhaust system, mechanical exhaust ventilation is not permitted**. At the same time, it is permitted to install devices for taking air for combustion from the room and with gravitational exhaust ventilation, in rooms where **mechanically balanced (simultaneous supply and exhaust ventilation) or overpressure supply ventilation is applied**

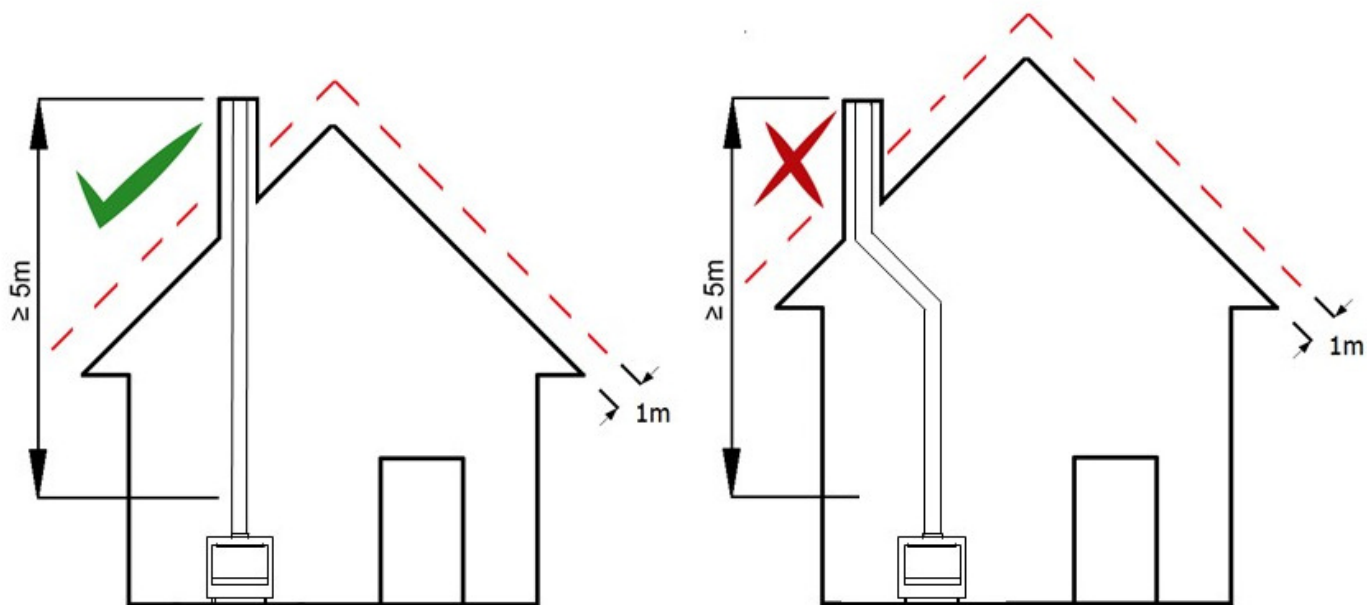
Balanced amount of air used and supplied fresh air is necessary for proper operation. Ventilation is only effective if it is designed correctly and the amount of air supplied is sufficient. The amount of extracted air and the amount of air used by the fireplace may be too high and lead to the occurrence of negative pressure in the rooms. To prevent this, the supply and exhaust air requirements of a fireplace of a given power rating must be taken into account when designing its supply and extract air system. (See Table 1).

**WARNING!!!** If we have any concerns that the air balance may not be ensured and the risk of backward chimney draft can appear or if the flue length is too short or too complicated, it is essential to use an exhaust fan to assist in the evacuation of the combustion products outside the building. We recommend EXODRAFT RSVG (or RSG) series fans.

**WARNING!!!** Installer must check that all the products of combustion are entering the flue after 10 minutes when the appliance is lit cold by traversing the perimeter of the fireplace opening or canopy, as applicable, using a smoke generator, gas analyzer or a smoke matches (attached to the data plate).

### 5.6.3. Discharge of combustion products - natural draught

VERSAL fireplaces work on the basis of natural chimney draught. However, it should be remembered that a flue pipe of appropriate diameter, matched to the length and power of the fireplace insert, is required for proper operation (see Table 1). In buildings with very good ventilation (gravitational ventilation, supply and exhaust mechanical ventilation, balanced or overpressure), the fireplace insert will work properly if, with a properly selected cross-section of the flue pipe, it is at least 5 m high and will not have any skews or bends or reductions along its entire length.



Picture 4 – Natural draft flue pipe

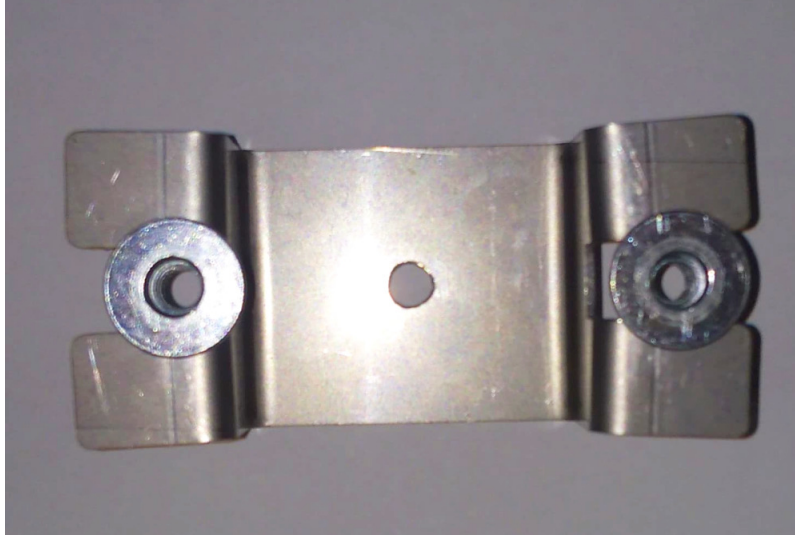
This configuration of the flue pipe will ensure sufficient natural draft in the flue pipe, which must be between 15 and 17 Pa. The measurement shall be carried out while the appliance is operating at its nominal maximum rate of combustion, preferably during a test firing. If it exceeds 20 Pa, a pressure regulator must also be installed to lower and stabilize the chimney draft.

The flue pipe should be vertical, without constrictions and with an outlet above the ridge, and must be located directly above the fireplace. In this case, there is no need to install any additional chimney cleanout inspection door as the fireplace itself and its chamber can be used for this purpose.

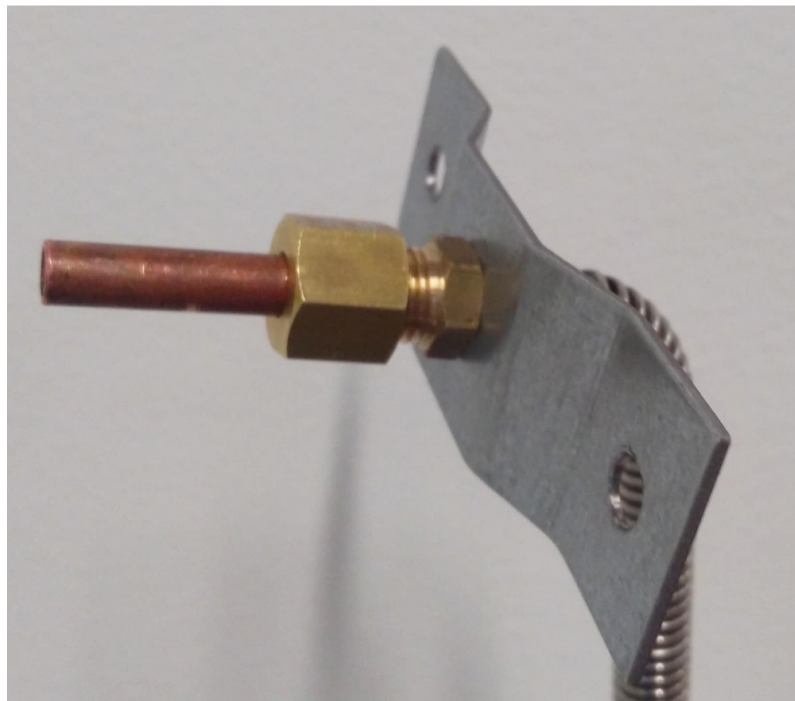
#### 5.6.4. Chimney draft pressure switch

The device is equipped with chimney draft pressure switch which monitors and measure the current negative pressure in the chimney. The end of the pipe shall be installed at the inlet to the chimney (**maximum 100mm above the inlet**) If the chimney is blocked and there is not proper draft level, the switch will stop the device automatically.

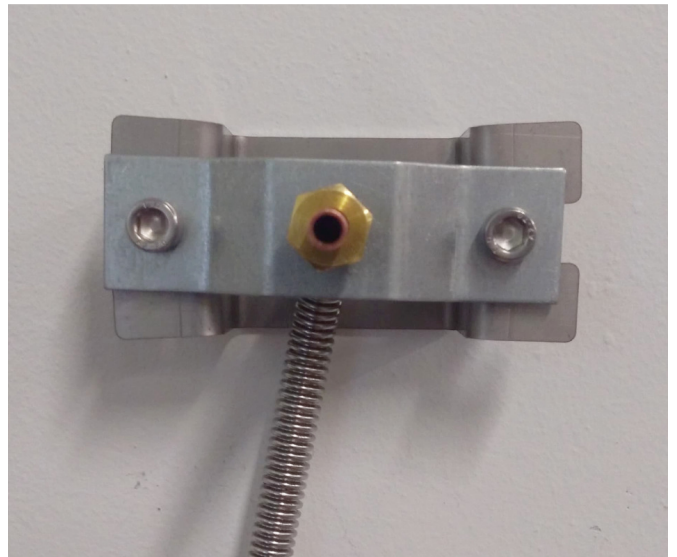
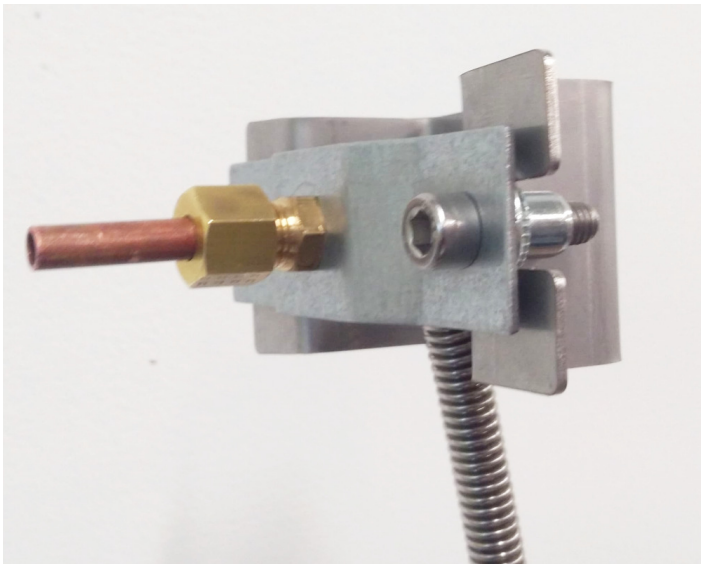
- Screw the bracket to the inner wall of the chimney with the delivered mounting kit



- Screw the end of the pipe of chimney draft pressure switch to the bracket



- The end of the pipe shall be placed horizontally



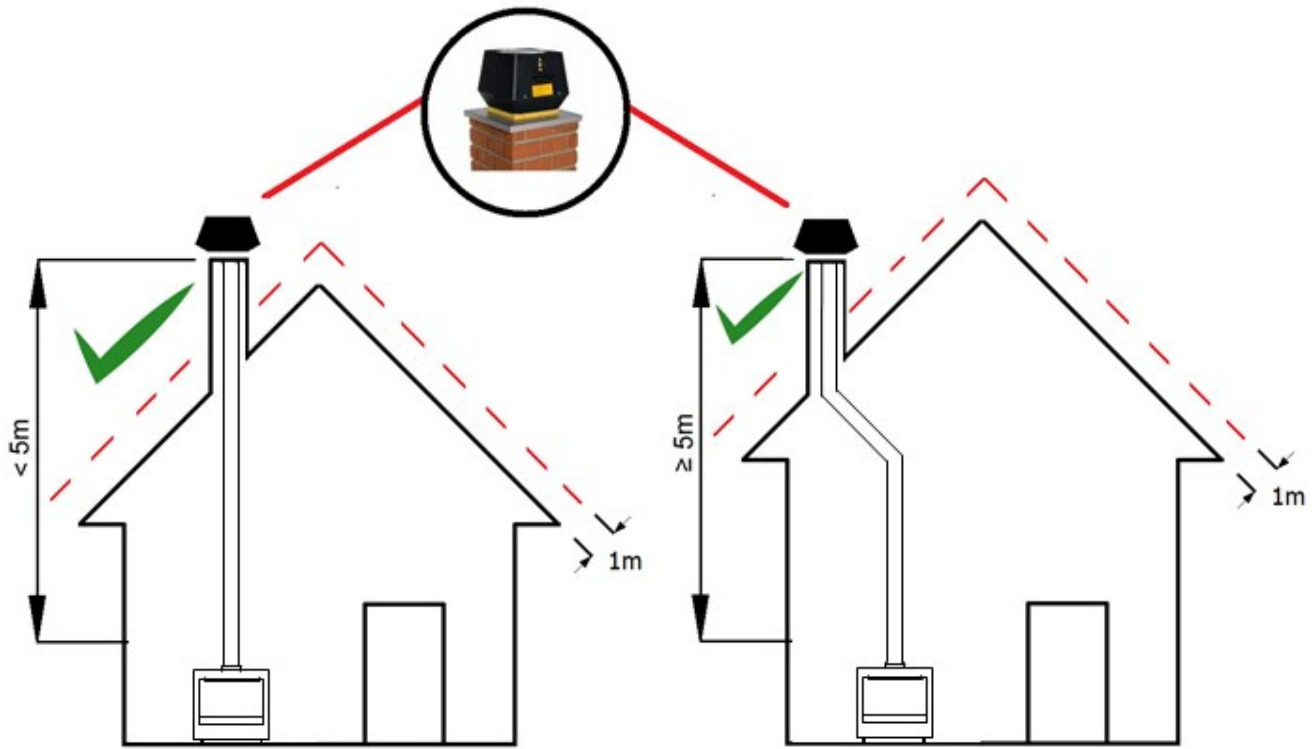
#### **5.6.5. Discharge of combustion products - mechanical draught**

In cases where an exhaust mechanical ventilation system is installed in the room (which creates a vacuum in the room), it interferes with the proper functioning of the fireplace with open combustion chamber and the natural draught in the flue pipe. There may be a dangerous phenomenon of the flue gas retreating through the flue pipe, which instead of discharging of the combustion products to the outside starts to act as an additional supply air ventilation duct. **In this case, it is necessary to use an exhaust fan to support the evacuation of combustion products outside the building.** This will ensure adequate vacuum in the flue pipe and guarantee that the fireplace will operate only under conditions of correct flue pipe draught.

**WARNING!!!** The necessity to use an additional exhaust fan occurs when:

- **the flue pipe is too short (less than 5 meters),**
- **it is necessary to install a flue pipe with a smaller cross section than the one recommended**
- **or there is a need to use any knees or bends or reduction when designing its course.**

We recommend the use of the EXODRAFT mechanical extractor, as they are compatible with the VERSAL series fireplaces. Operating of both devices is carried out using only one remote control. The mechanical exhaust fan also acts as a safety device or a safety valve that turns off the fireplace in the event of the chimney draft disappearing. We recommend the EXODRAFT RSVG 150 model for 200mm chimneys or EXODRAFT RSVG 200 for other configurations.



Picture 5 –Exhaust duct with mechanical extractor

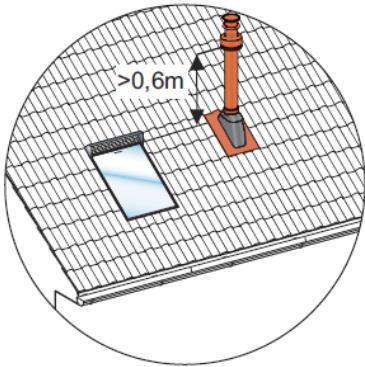
If mechanical exhaust fan is used, the flue should be vertical (it can have a maximum of two bends and a skew from the vertical not more than 30%) with an outlet above the ridge. The fireplace should be installed as close to the chimney as possible so that the flue (connecting the fireplace with the chimney) consist of a minimum number of bends.

**WARNING!!!** When the flue pipe is installed behind the fireplace or next to it, it must necessarily have a chimney cleanout inspection door for emptying the residue after the combustion process and for the purposes of annual flue inspections.

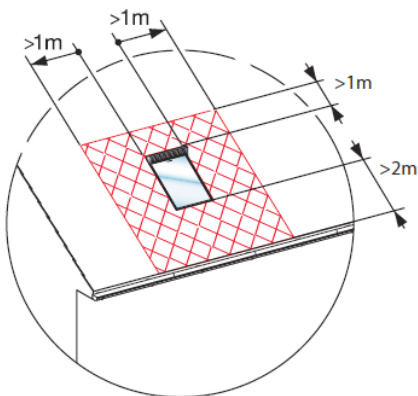
## 5.7. Distances of the exhaust outlet from the structural elements of the building

During the design and installation of concentric flue system, you should pay special attention to the location of the exhaust outlet in relation to the structural elements of the building.

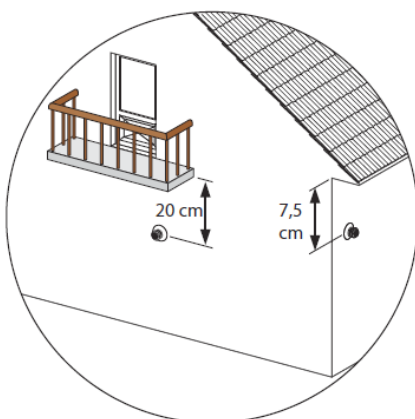
- Height near a roof window.



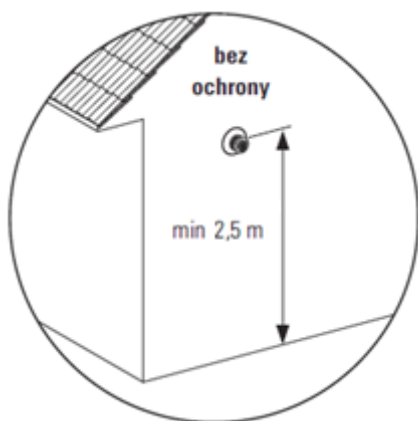
- Location near a roof window.



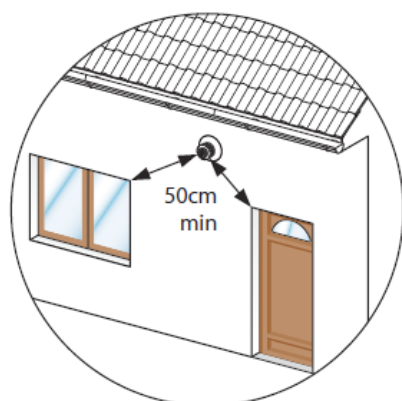
- Location under the balcony and below the edge of the roof.



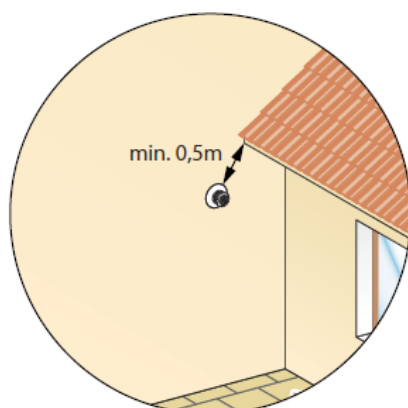
- Height above the ground level.



- Location near the door and window openings.

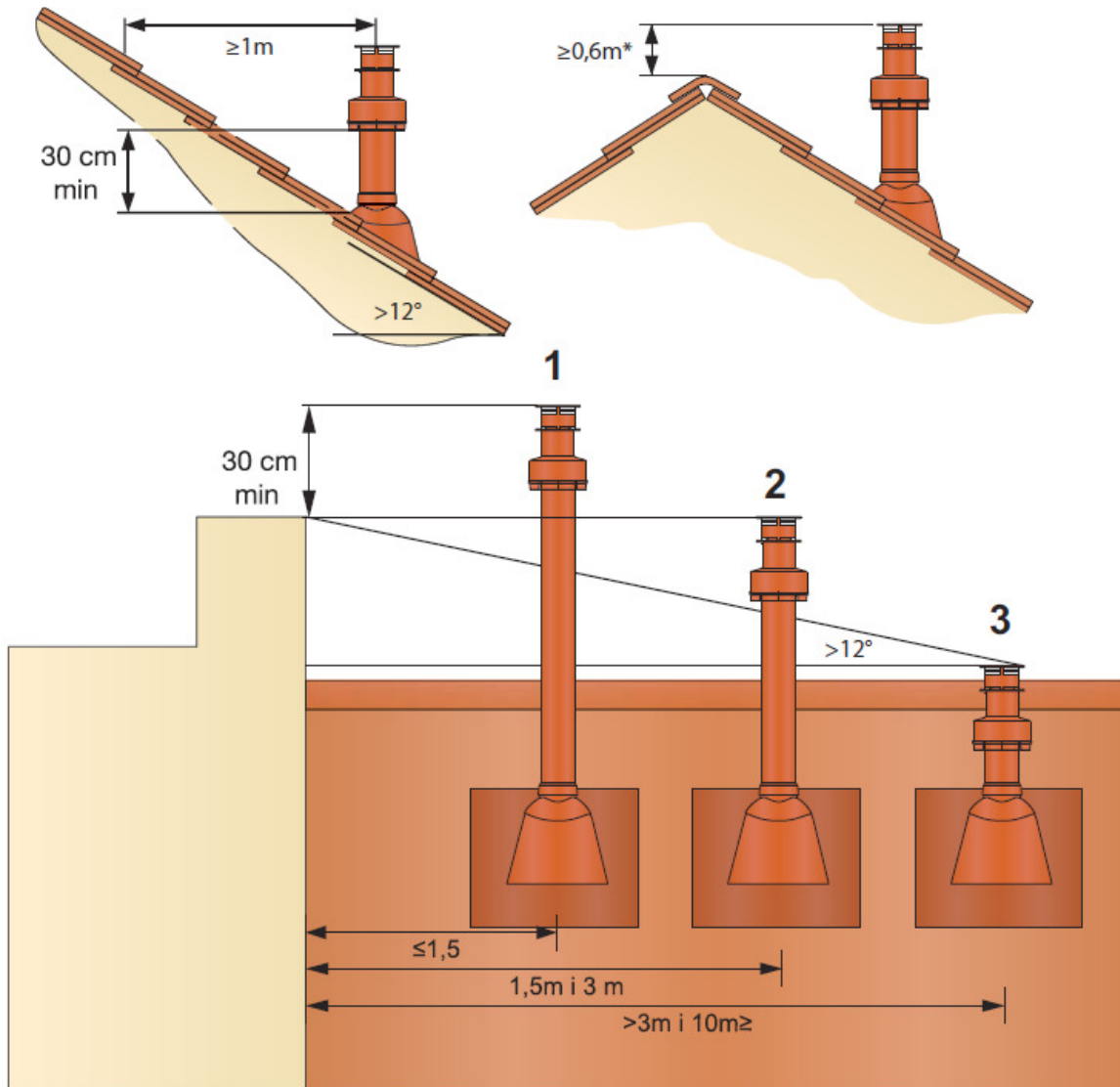


- Location near shading projections.





- The distance from the obstacles and structural elements at the roof passage.



1. In case of exhaust outlet from flue system situated at a distance of 1,5m from the obstacle, the outlet chimney must be placed 0,3m above the top edge of the obstacle.
2. In case of exhaust outlet from the flue system situated at a distance of 1,5 to 3m from the obstacle, the outlet chimney must be placed at least at the level of the upper edge of the obstacle.
3. In case of exhaust outlet from the flue system situated at a distance of 3 to 10 meters from the obstacle, the outlet chimney must be placed at least 0,3 m above the surface of the roof with a slope greater than 12° and at least 0,6 m above the surface of the flat roof.



## 5.8. Placing decorative elements

To install decorative elements, it is necessary to dismantle the front glass. Elements should be arranged in such a way as not to obscure the ionization and ignition electrodes as well as outlets of the hearth and to allow free flow of air around the hearth. Otherwise, it may result in incorrect operation of the fireplace. The ceramic elements or decorative stones cannot adhere to the glass, as it may cause its damage.

Decorative set of filling the combustion chamber attached to the unit consists of:

- Vermiculite



- Vermiculite chips



- Glowing wires



- Set of decorative logs

**WARNING!** To ensure correct functioning of the device, the following safety instructions must be strictly observed:

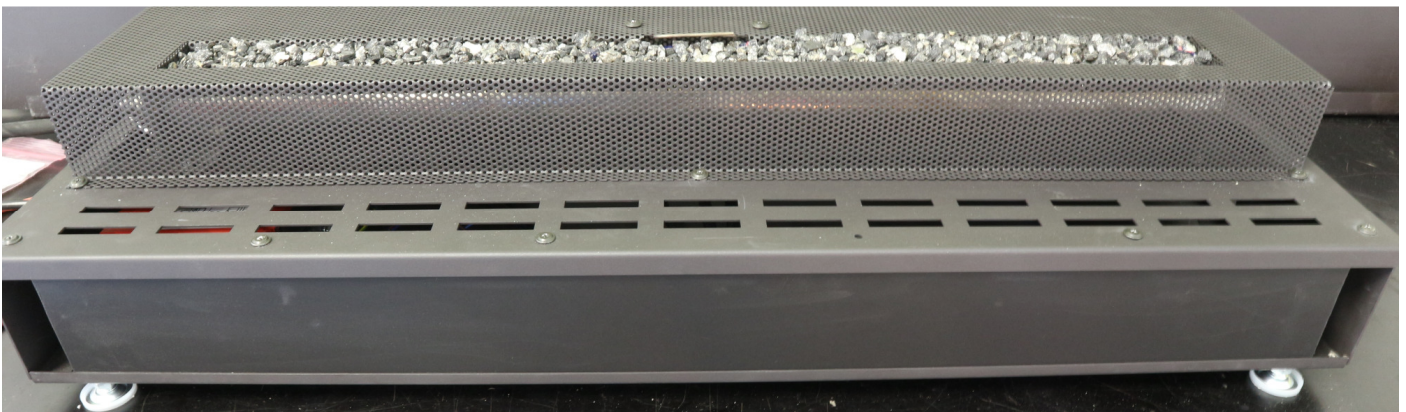
- Do not place additional imitative blocks or glowing wires on the burner or in the combustion chamber other than those supplied with the device.
- Decorative stones must be placed according to the description and photographic documentation.
- Glowing wires should be used only in combination with decorative logs.
- Ceramic logs should be placed according to the description and photographic documentation. No other way of stacking logs is allowed other than the one indicated further in this manual.
- Decorative stones must be placed according to the description and photographic documentation. The Interior of the combustion chamber should be filled with all supplied decorative stones.
- Make sure that the ionization and ignition electrodes as well as the space around them remained free, so that no decorative element touches any of the electrodes.
- Make sure that the gap between the burner and the tray surrounding the burner is not blocked by any decorative elements.
- Make sure to avoid spilling the powdery residue from the packaging during placing the vermiculite on the burner.
- **WARNING!** It is forbidden to place in the combustion chamber items not intended for this purpose (including garbage) or otherwise interfere with the operation of the burner and decorative elements supplied with the device.

### 5.8.1. Arranging decorative logs

To properly arrange decorative logs on the burner you should:

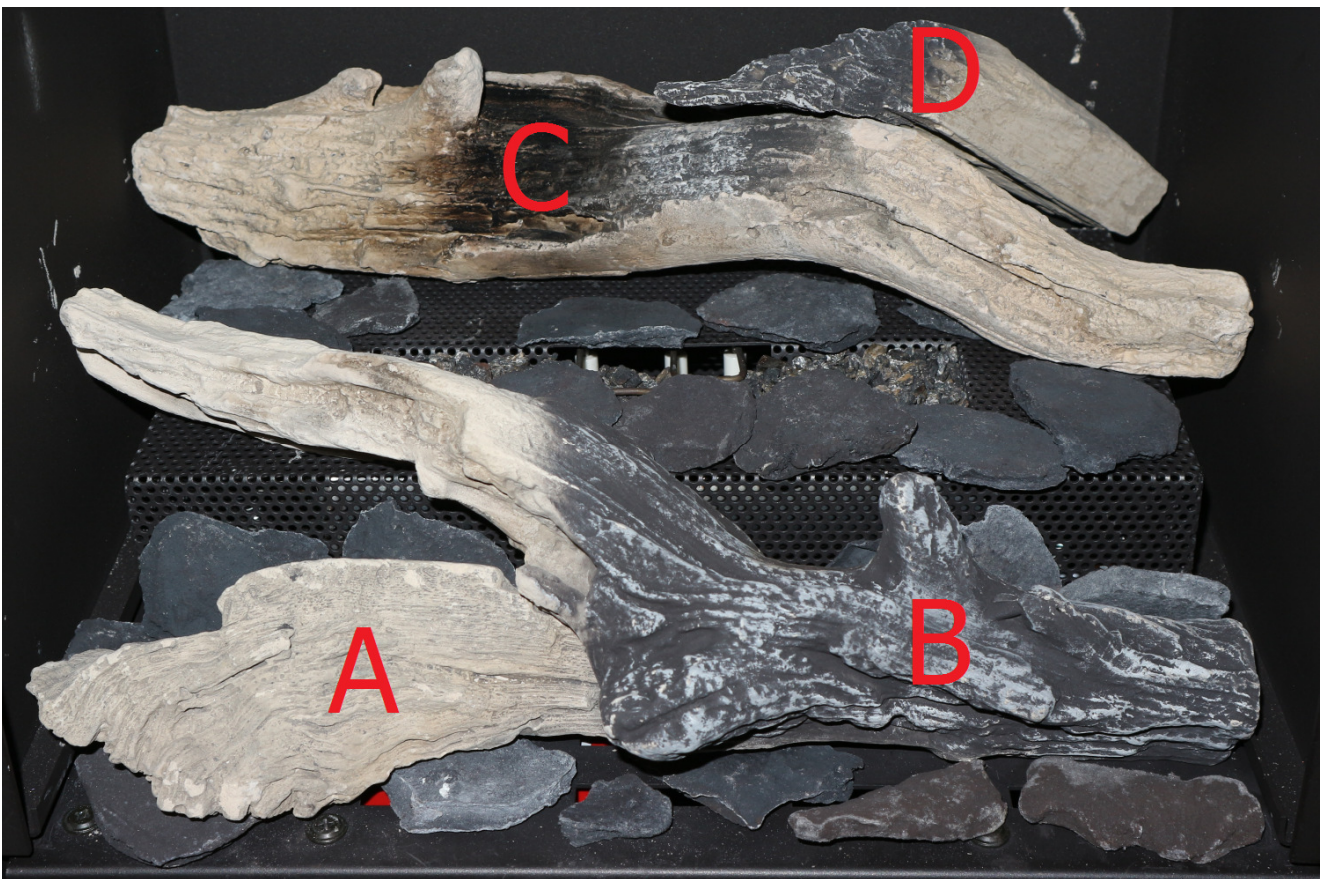
- Fill the burner with vermiculite that came with the device and spread it evenly over its entire surface, remembering that vermiculite cannot reach above the edge of the burner. Uneven distribution of vermiculite may adversely affect the image of the flame and the life of the burner.

**WARNING!** The surface of the burner should be completely covered with vermiculite, in order not to shorten the life of the burner.



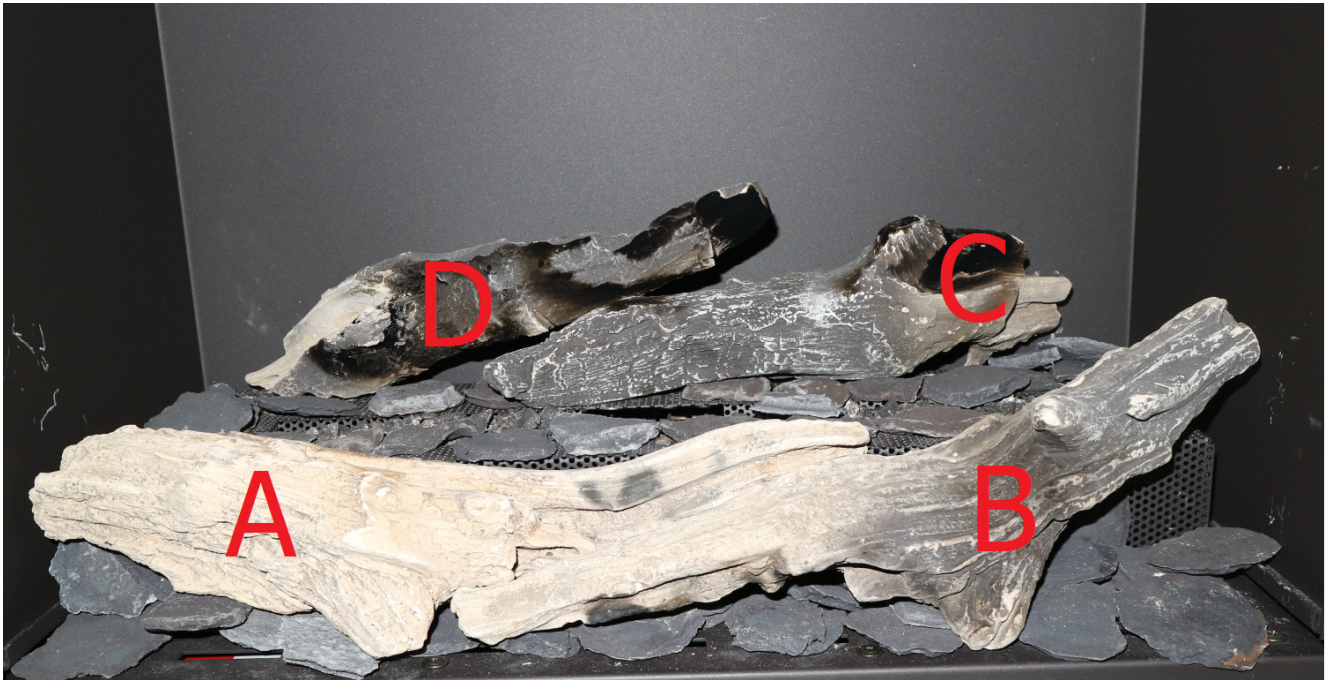
- Fill the tray designed for vermiculite located around the burner with the vermiculite chips by evenly distributing them.
- Identify all the ceramic logs. During the identification, follow the traces of burns on the surface of the branches and their shape.
- Place ceramic logs on the burner and vermiculite tray in given order, which is appointed by letters of alphabet. Logs cannot completely cover the shape of the burner which may cause the main burner not igniting properly. This can lead to incorrect operation of the device, and the device may quickly get dirty with soot which adversely affect the image of the flame.

### Versal 350

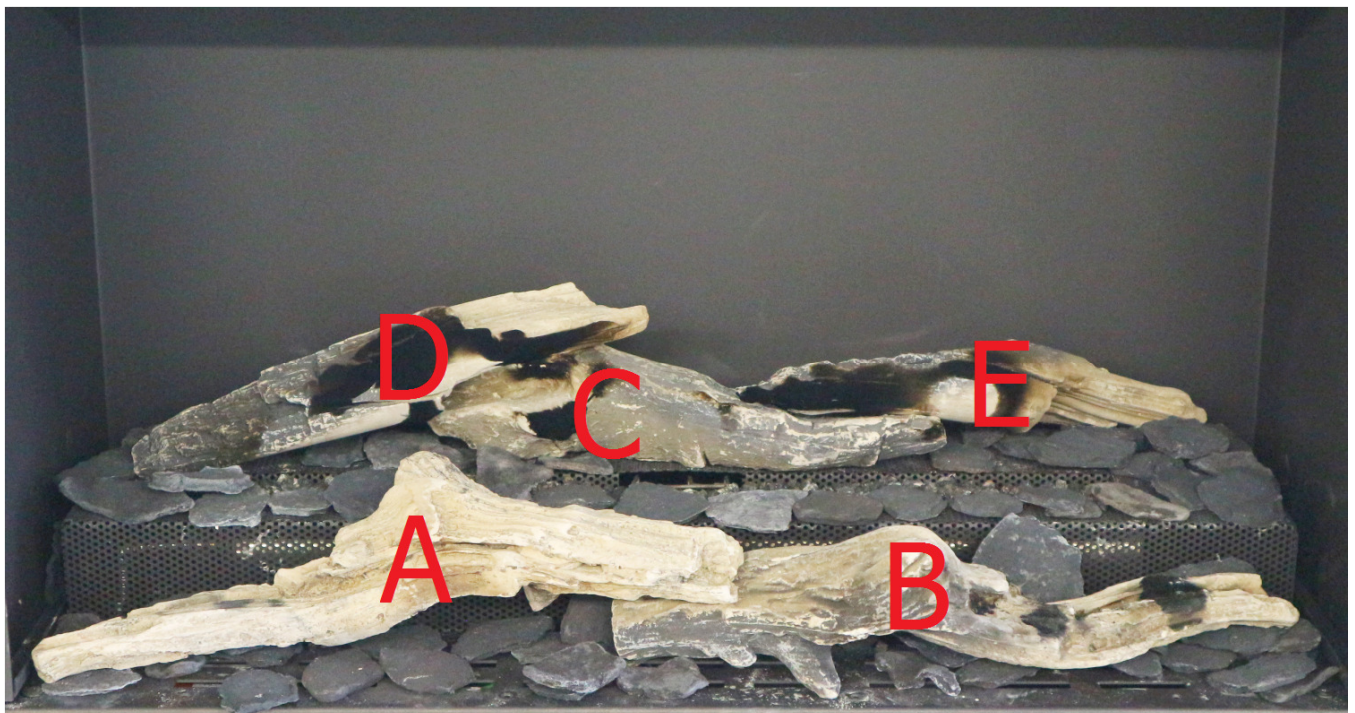




Versal 550

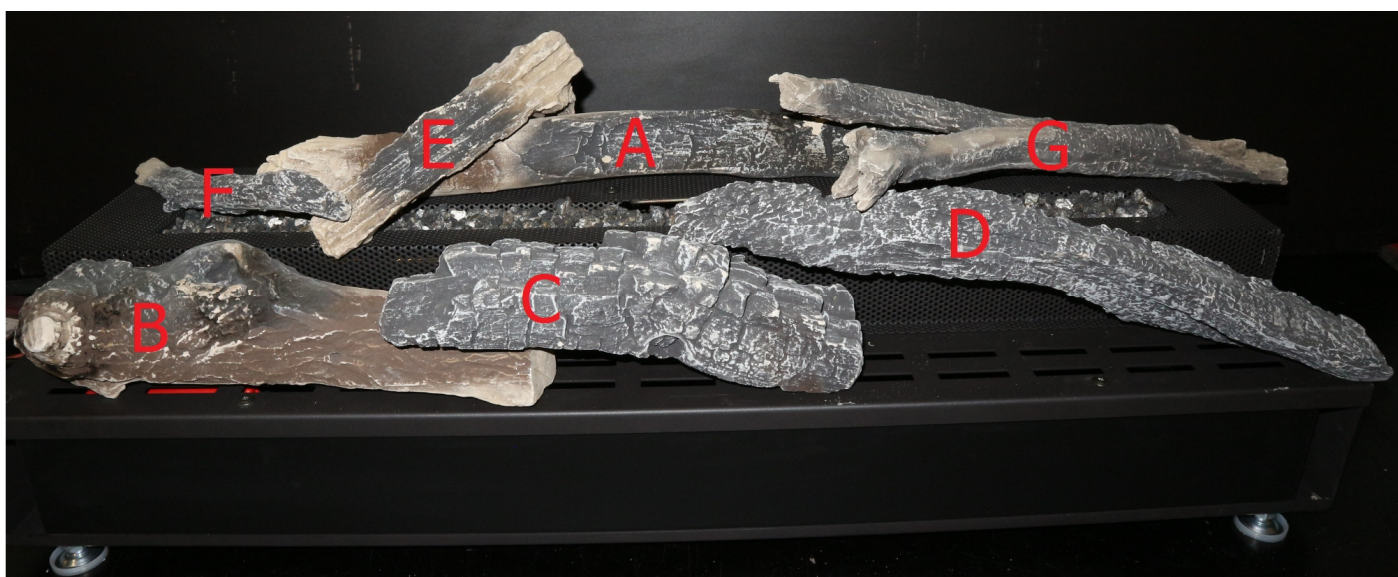
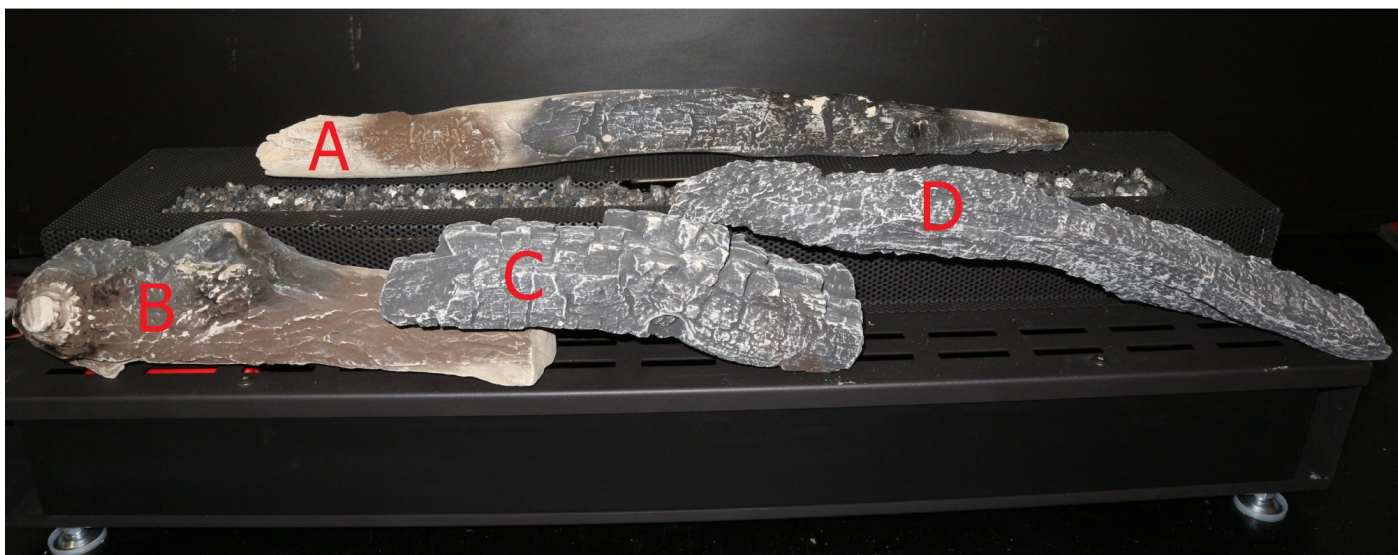


Versal 700





## Versal 850



- Place the glowing wires on the burner next to or under the decorative logs. **WARNING!** The areas around the ionization and ignition electrodes should remain free from glowing wires.



## 6. CONTROL

The unit is supplied with remote control for the user (Picture 7 "B"), which controls the receiver and allows you to turn on and off the fireplace, and to adjust the height of the flame. Control method using the remote control as well as a description of the device is described in the User Manual. Optionally, orange remote control for the installer can also be supplied (Picture 7 "O").

The remote control receiver is installed in the inspection hatch next to the gas assembly. Exposure of the system's electronic to temperatures exceeding 60 ° C will result in irreversible damage. The maximum distance between the inspection hatch and the device is determined by the length of flexible gas hoses and wires connecting the controller with the electrodes of the hearth. Do not extend the cables supplied with the unit, as this may affect the malfunction of the control system. Keep in mind not to put the ignition wire too close to metal parts. Elements of the system cannot be exposed to moisture, dust, and the factors affecting the formation of corrosion. If you need to replace the individual system components, use only original parts available for purchase from the Manufacturer. Plugs of the individual wires are chosen in such way, as to prevent incorrect connection components.

### 6.1. Remote controls

#### 6.1.1. Remote control for the user.

To prepare remote control to use, follow these steps:

- Place the two batteries (AA) attached to the device inside the remote control.
- Make sure that the device is not turned off for more than 5 minutes.
- When you first start the device (or if the power supply was switched off for more than 5 minutes), you must configure the connection of the remote control with the device.
- If the remote control is not in the mode of establishing the connection to "BND", follow these steps:
  - Press the menu button (the button with a square symbol) on the remote control for at least 10 seconds and then press it several times until "BND" inscription with symbol of reception appears on the screen.
  - Press briefly and simultaneously buttons "arrow up" and "down arrow" so the blinking warning triangle and hourglass also appear on the screen.
  - Startup screen display means the end of the login process and configured remote control which is now ready to work with a fireplace.

**WARNING!** All functions are explained in detail with supplied User Manual.

#### 6.1.2. Orange remote control for the installer

When using optionally supplied orange remote control, you can read all the information stored in the receiver. In this way, you can recover last 20 error messages, and also it is possible to read the number of error occurrences. This remote control is also used to adjust the basic settings and to read off the ionization current flow. It is also required for configuration of wired home automation system connection.



## 6.2. Alternative ways of control



Except using the remote control, there are also alternative ways to control the device. The fireplace is suitable for connection to a home automation system that can connect to the receiver. This may be a wired or wireless connection. Planika fireplaces can be (after purchasing an additional Ethernet Bridge module) controlled by Planika Control application available for free download for mobile devices with Android (Google Play) and iOS (iTunes). The installation instructions are supplied with the Ethernet Bridge module. Instructions for use of the Application are included in the Application itself in the Help menu.



### 6.2.1. Wired connection

Wired connection of the home automation system with the receiver can be set up by using DC 0-3 VDC input (Picture 2 "D"). **WARNING!** Voltage above 3V causes damage to the receiver and therefore it is not allowed.

In case of home automation systems with output voltage of 0-10 V voltage should be reduced to the level of 0-3 V DC. To do this, use a voltage switchgear made of resistors (e.g., 2200 ohms and 680 ohms). Voltage above resistance of 680 ohms may be used at the output 0-3 V DC. Use a low impedance resistors.

By controlling the voltage level the receiver will be able to calculate the position and height of the flame. Table "B1" shows the relationship between the voltage and the height of the flame. For devices with 2 burners, table "B2" applies. It shows the relationship between voltage, the height of the flame and the number of burners.

B1			
B	V		
1	0,00 VDC	0%	I
1	0,08 VDC	3%	I
1	0,16 VDC	6%	I
1	0,23 VDC	9%	I
1	0,30 VDC	13%	I
1	0,37 VDC	16%	I
1	0,43 VDC	19%	I
1	0,49 VDC	22%	I
1	0,55 VDC	25%	I
1	0,61 VDC	28%	I
1	0,66 VDC	31%	I
1	0,71 VDC	34%	I
1	0,76 VDC	38%	I
1	0,81 VDC	41%	I
1	0,86 VDC	44%	I
1	0,90 VDC	47%	I
1	0,94 VDC	50%	I
1	0,98 VDC	53%	I
1	1,02 VDC	56%	I
1	1,06 VDC	59%	I
1	1,10 VDC	63%	I
1	1,14 VDC	66%	I
1	1,17 VDC	69%	I

B2			
B	V		
1	0,00 VDC	0%	I
1	0,08 VDC	6%	I
1	0,16 VDC	13%	I
1	0,23 VDC	19%	I
1	0,30 VDC	25%	I
1	0,37 VDC	31%	I
1	0,43 VDC	38%	I
1	0,49 VDC	44%	I
1	0,55 VDC	50%	I
1	0,61 VDC	56%	I
1	0,66 VDC	63%	I
1	0,71 VDC	69%	I
1	0,76 VDC	75%	I
1	0,81 VDC	81%	I
1	0,86 VDC	88%	I
1	0,90 VDC	94%	I
1	0,94 VDC	100%	I
2	0,98 VDC	6%	I
2	1,02 VDC	13%	I
2	1,06 VDC	19%	I
2	1,10 VDC	25%	I
2	1,14 VDC	31%	I
2	1,17 VDC	38%	I

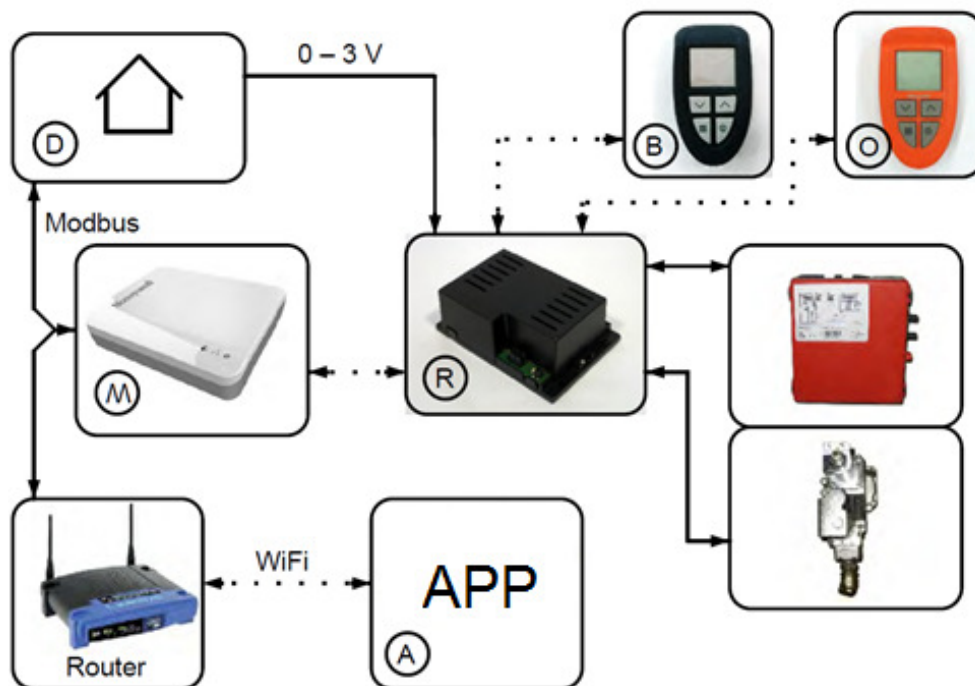
1	1,20 VDC	72%		2	1,20 VDC	44%	
1	1,24 VDC	75%		2	1,24 VDC	50%	
1	1,27 VDC	78%		2	1,27 VDC	56%	
1	1,30 VDC	81%		2	1,30 VDC	63%	
1	1,33 VDC	84%		2	1,33 VDC	69%	
1	1,36 VDC	88%		2	1,36 VDC	75%	
1	1,39 VDC	91%		2	1,39 VDC	81%	
1	1,41 VDC	94%		2	1,41 VDC	88%	
1	1,44 VDC	97%		2	1,44 VDC	94%	
1	1,47 VDC	100%		2	1,47 VDC	100%	
	<b>1,98 VDC</b>	<b>Off &gt;</b>	<b>O</b>		<b>1,98 VDC</b>	<b>Off &gt;</b>	<b>O</b>
	2,00 VDC		<b>O</b>		2,00 VDC		<b>O</b>

When connecting home automation system to the receiver, proceed as follows:

- Connect the signal 0-3 V DC to the connector, which the black and yellow wire is connected to (Picture 2 "D").
- **Warning!** The yellow wire is "+" and the black is "-". Always connect "-" to "-" and "+" to "+".
- Use the orange remote control to select wired connection. To do this, go to the position 8 in the first menu and select the device with one burner (option 2) or a device with two burners (option 3). In order to familiarize yourself with additional configuration options, please read the instructions that came with the optional orange remote control. By default, the device is configured to use 2 burners (middle and side sections).

### 6.2.2. The wireless connection through the protocol "Modbus"

Wireless connection of home automation system with the receiver can be established via compatible protocol "Modbus". This type of connection can be established only by using the communication module (Picture 12 "M"). This module can be ordered from Planika. This module converts the communication protocol "Modbus" from home automation system for the wireless signal to the receiver.



Picture 7 - Schematic diagram of the electronics



If you connect home automation system to the receiver using a communication module, do the following:

- Using the remote control, check whether the place where you want to place a communications module is within range of the receiver.
- Place the remote control in the right place and test the sensitivity of the received signal (RSSI). To do this, simultaneously press the On/Off button and the arrow down button. The displayed value must be between -20 to -80 (see. User Manual "Quality of Signal"). If necessary, place the remote control closer the device in order to improve reception.
- Connect the communication module using the RJ45 plug to the router in accordance with the instructions contained in the manual supplied with this module.
- Then follow the steps described in the manual protocol "Modbus". This instruction can be obtained from the supplier of home automation system.

## 7. FINAL INSPECTION

To check whether the device is working properly and safely, before it is put into operation, perform the following checks.

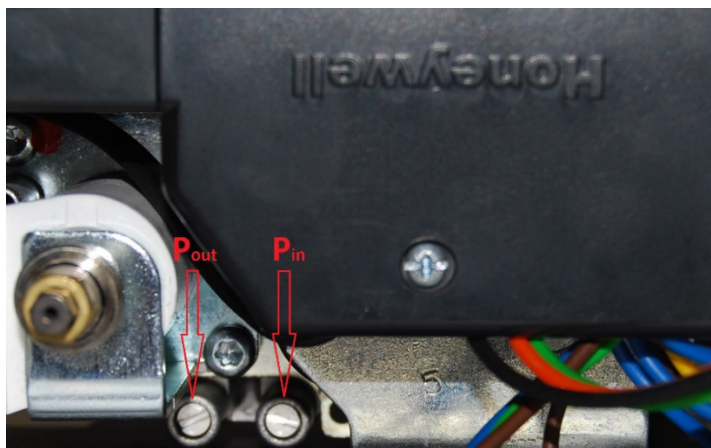
### 7.1. Gas tightness

All connections must be tight. Check the connections for gas tightness. The gas control block can be subjected to a maximum pressure of 50 mbar.

### 7.2. Gas Pressure

Burner's pressure shown on the nameplate of the device, is set at the factory and under no circumstances can be changed.

**WARNING!** You should check the pressure in the home installations, because it may be incorrect. In addition, check the pressure in the gas block system. The location of the measuring nipple (**P<sub>in</sub>**) over the gas assembly shows the picture below. If the pressure is not correct (too high or too low), please contact the gas supplier. Also, check the output pressure of the gas by connecting the measuring device to the measuring nipple and compare them with output pressure of the burner written on the nameplate of the device. To connect the measuring device, unscrew the screw on the test nipple (9 mm) by half a turn and connect the hose.



*Photo 3 - Nozzles measuring gas pressure*

### **7.3. Ignition of the main burner**

Information about the ignition of the main burner can be found in the Manual.

#### **7.3.1. First ignition of the device after installation or after modifications**

**WARNING!** After installation of the device or after service work you should light up the device for the first time without inserting the front glass. If necessary, drain the gas pipe.

Follow the procedure below:

- If necessary, remove the glass.
- You should start the ignition as described in the Manual..
- If the main burner does not light up:
  - Reset the system by pressing the remote control buttons simultaneously "arrow up" and "down arrow".
  - Repeat the ignition until the main burner lights up.

**WARNING!** After each failed attempt ignition system must be reset.

- If after several attempts the burner still does not light, refer to the table of error messages (see. Chapter Troubleshooting).
- Make sure that the hearth is burning all the time.
- If the hearth is not burning all the time, reset the system as described and repeat the ignition procedure until the furnace will burn continuously.

**WARNING!** The system can be reset to re-ignition only three times in a row. Then the system will be permanently blocked and you have to wait half an hour before another ignition attempt.

- Please refer to the table of error messages, if this does not happen after a few attempts.
- Disconnect the device from the power supply.
- Repeat the ignition procedure several times and perform the checks described in section 7.3.2.
- Since then, the hearth should light up without problems.

**WARNING!** Always wait 3 minutes before retrying ignition of the device. You cannot make any modifications to the gas assembly.

### **7.3.2. The Hearth**

- Ignition electrode should light the central hearth within few seconds and without explosively.
- Flame in the hearth must smoothly and without the explosively pass through the burner and must burn continuously.
- If there is no ignition of the device after three restarts, the permanent lock the device is activated and it may be impossible to reset by disconnecting the power supply. If you still need to restart, remove the glass and make sure that nothing is blocking the free flow of gas to the burner. Then, the device can be disconnected from the power source for 10 seconds. After these 10 seconds the power supply can be reconnected. It should light up the device in the same way as in the case of the first ignition, according to the information contained in Section 7.3.1.
- Check the operation of the burner from a cold state.
- If the sparks are detected between the electrodes, the central hearth should ignite within a few seconds.
- The image of the flame and the correct transfer of the flame to the side sections of the burner can be evaluated properly only when the front glass is mounted.
- If the ignition of the main burner does not correspond to the above requirements, refer to the table of error messages to determine the cause.

### **7.4. Flame**

**WARNING!!!** The image of the flame depends on the type of gas used. Different types of propane and butane gas mixtures, as well as various types of natural gas, can cause a change of the color and appearance of the flame, smoke or even soot effect on the decorative elements (ceramic logs and pebbles).

An image of the flame can be effectively evaluated after the first few hours of use. The image of the flame is affected by the volatile components of paint, materials, etc., which evaporate during the first hours of the fireplace use.

- Make sure that the image of the flame on the hearth is correct.
- If the image of the flame is not acceptable, use the table of error messages to solve the problem.

## 7.5. Checklist

	Range	Actions
1	General inspection	<ul style="list-style-type: none"> <li>• Carry out the procedure in firing up the fireplace</li> <li>• Check the operation of all safety systems.</li> <li>• Check if the flame of the main burner burns steadily</li> <li>• Check if the main burner is burning evenly</li> <li>• Check the correct operation of all modes of the remote control.</li> </ul>
2	Glass Control	<ul style="list-style-type: none"> <li>• Make sure that the glass has no cracks.</li> <li>• Make sure the glass fits tight to the body of the fireplace.</li> <li>• Check the wear of the seals. If necessary, replace the seal.</li> <li>• Check the degree of contamination of the glass. Clean the glass if necessary.</li> </ul>
3	Combustion chamber control	<ul style="list-style-type: none"> <li>• Check whether the ignition electrode is not obstructed by decorative elements</li> <li>• Check if the ionization electrode is within the range of the main burner flame</li> <li>• Check whether the combustion chamber does not require cleaning.</li> <li>• Check if the spaces supplying air from the flue pipe system to the combustion chamber are not obstructed. If necessary unblock those spaces.</li> <li>• Check whether the combustion chamber has no signs of corrosion. If necessary, remove corrosion and cover the losses with a new coat of fireplace paint.</li> <li>• Check if the main burner ignites smoothly.</li> </ul>
4	Flue Control	<ul style="list-style-type: none"> <li>• Check the tightness of the concentric flue system</li> <li>• Check the patency of the concentric flue system.</li> </ul>
5	Monitor of the control devices	<ul style="list-style-type: none"> <li>• Make sure the receiver is not damaged.</li> <li>• Check if the circuits has no breakthrough</li> <li>• Make sure the power supply cable is not damaged</li> <li>• Check that the components of the control system are not exposed to overheating.</li> </ul>
6	Housing control	<ul style="list-style-type: none"> <li>• Make sure the casing of the gas insert has no cracks</li> <li>• Check whether the combustible elements are at a safe distance from the casing of the fireplace.</li> </ul>
7	Decorative elements	<ul style="list-style-type: none"> <li>• Check that the decorative elements do not require cleaning</li> <li>• Check that the decorative elements are not in contact with the glass</li> <li>• Check if the decorative elements are not damaged.</li> </ul>

## 8. MAINTENANCE

To make sure that the device operates properly and safely, it should be inspected and cleaned once a year and if necessary repaired by a qualified technician who specializes in the field of gas heating and electrical systems. During maintenance work, close the gas valve and make sure that the device is not energized, and after the review/repair, check the gas tightness of the entire system.

**WARNING!** It is forbidden to clean the device and the interior of the combustion chamber with a vacuum cleaner.

### 8.1. Spare parts

Use only original spare parts, which are available from the supplier.

## 9. DELIVERY

After successful installation of the device, the installer is obliged to explain to the user how to operate the device and give him instructions how to start the device, security measures, use of the remote control and annual maintenance.

Additionally, the installer must provide the user with the following information and instructions:

- In case of perceived irregularities in the operation of the device, immediately close the gas valve and contact your installer in order to avoid dangerous situations.
- Indicate the user to the location of the gas valve.
- Pay attention to the preventive measures listed in the User Manual which protect against inadvertent ignition by other wireless remote controls, such as car keys and remote controls for garage doors.
- Pay attention to the fact that the device is connected to 230 V.
- Instruct the user on the device and use the remote control.
- Issue the user with manual and assembly instructions and advised that all instructions must be kept near the unit.
- Tell the User that is required to read the Safety Instructions contained in the Manual and that all instructions must be stored for the lifetime of the device.
- When the device is put into operation, it must be pointed out that:
  - When the unit is lit for the first time, it comes to the evaporation of volatile components from paint, materials, etc. and during the volatilization of these substances, the device should work with the highest heat load.
  - The room should be well ventilated.

## 10. WARRANTY

Planika Sp. z o.o. grants the Client guarantee of quality for the smooth operation of the goods specified on the sales document. The warranty is determined for a given period from the date of purchase (based on the warranty card together with the receipt of purchase). The warranty period starts at the moment of purchase of the original product by the first end user. Product may consist of several separate parts and different parts may be covered by a different warranty periods. The manufacturer gives 2 year warranty from date of purchase an insert for its smooth operation. Fireplace sealing is covered by warranty for a period of 1 year from date of purchase of the device. Guarantee does not cover: decorative insulation panels, decorative ceramic logs and glass. The use of the fireplace insert, way of connecting to the chimney and operating conditions must be in accordance with the user manual. The basis for the free repair covered by warranty is a warranty card. Warranty Card will expire without a date, stamps, signatures, as well as the amendments made by unauthorized persons. Customer entitlement under the guarantee will expire automatically: after the warranty period. Any damages caused by improper handling, storage, of poor maintenance, incompatible with the conditions laid down in the manual and due to other reasons not due to the fault of the manufacturer, will void the warranty. In the event of a complaint, always contact your dealer. Supplier will contact the company Planika, if it deems it necessary. Factory Warranty is valid for 2 years from the date of purchase. Details of the warranty are available on the <http://www.warranty.planikafires.com/>

## 11. TROUBLESHOOTING

**Warning!** Installation, repair and maintenance must be performed only by a trained engineer with the appropriate permissions, service company or gas supplier.

There are many factors that may affect the malfunction of the gas insert. To exclude a possible fault in the unit or the automatic gas control system, make sure that the fireplace is connected according to these instructions.

Below table summarizes possible failures that may occur, possible causes and ways to solve them.

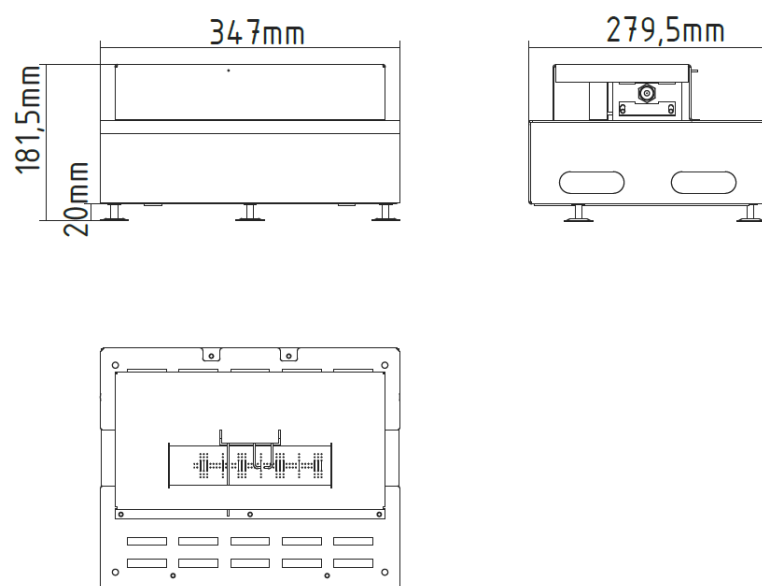
ERROR CODE	FAULT	POSSIBLE CAUSE	REPAIR
	<b>SMELL OF GAS</b>	<b>IMMEDIATELY CLOSE THE GAS VALVE ON THE GAS CONNECTION. DO NOT USE THE APPLIANCE UNTIL SPILLS ARE FULLY REMOVED</b>	
F00	Flame not detected in time and the burner control doesn't report a failure.	F01, F07 or F08 appeared 3 times	Device blocked. Wait 30 minutes before trying again.
		No spark	Make sure that the distance between the electrodes is 3-4 mm
		No Gas	Make sure, there is a gas connection
F01	The lack of communication between the receiver and the automation controller	Communication cable does not make any contact	Make sure that the contacts of the communication cable ensure correct contact
		Damage to the communication cable	Replace the communication cable
F02	Overheating of the receiver (60 ° c above room temperature)	Poor ventilation by the receiver	Improve ventilation at the receiver
		The receiver is in contact with the hot parts	Move the receiver so that it does not touch the hot parts
F03	Internal NTC sensor( of the receiver) is not working properly	Damaged receiver	Replace Receiver
F04	External NTC sensor is not working properly	External NTC sensor or wiring are damaged	Replace the NTC sensor or wiring
F05	Internal security error	Damaged receiver	Replace Receiver
F06	Lack of communication between the transmitter and receiver	The transmitter is out of range of the receiver	Make sure that the transmitter is located near the receiver
		Any obstacles between the transmitter and the receiver may interfere with the signal	Remove any obstacles between the transmitter and receiver
		Power transmission is too weak	Check the power transmission (see. Instruction Manual Chapter 9)
F07	Flame not detected in time and the burner control doesn't report a failure.	No spark	Make sure that the distance between the electrodes is 3-4 mm
		No Gas	Make sure, there is a gas connection
F08	No ionisation / The burner control reports a failure and the flame could not be detected in time.	No spark	Make sure that the distance between the electrodes is 3-4 mm
			Replace the ignition electrodes
			Check if the cables for the ignition electrode are connected correctly
		No Gas	Make sure, there is a gas connection



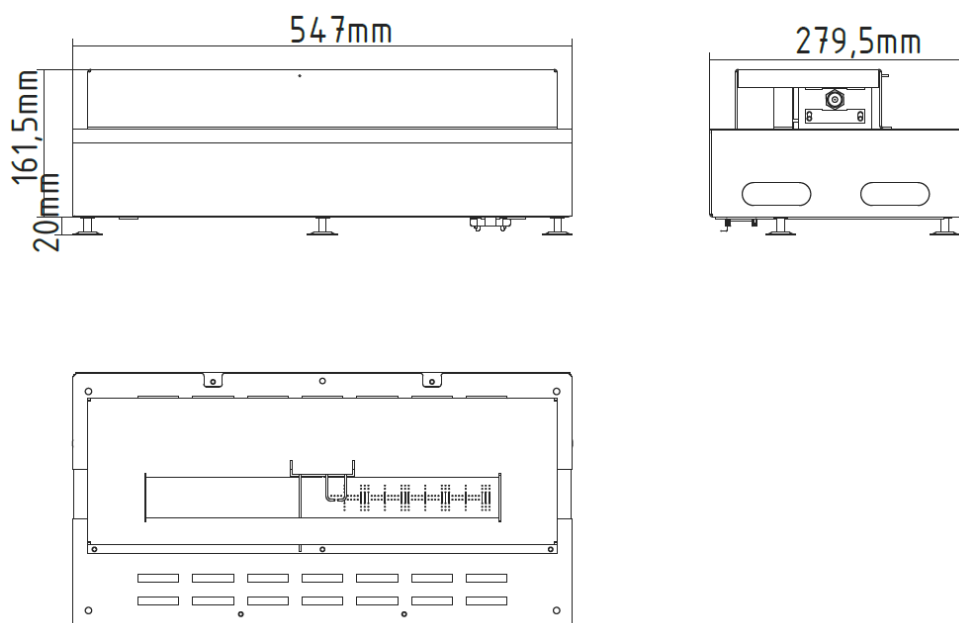
		Poor transfer of the flame from the main burner	Check the position of the blocks of wood / debris
			If necessary, remove dust and dirt from the holes of the burner
		Extinguishing of the flame at the ionization electrode (braising or picking of the flame)	Check the tightness of the fireplace combustion chamber, proper adhesion of glass to each other on the edges, as well as correct position of the seals and downforce strip
			Check restrictor setting
		No good flame under ionization pin (suffocating flame)	Check position blocks/chips
		Ionisation electrode not inserted correctly	Place the electrode in the right place
		Blocked ionization electrode (measure ionization current flow, when $> 0$ and $< 1.8 \mu A$ )	Remove any residue vermiculite or debris from the burner
		Faulty ionisation electrode (measure ionisation current if 0 electrode is damaged)	Replace the ionisation electrode
		Activated chimney draft pressure sensor	Check the if the chimney is not blocked. Check the sensor connection
F12	There has been no release of ESYS	ESYS under permanent blockade	Wait half an hour until ESYS resets itself
F13/F14	(ionisation $< 0.8 \mu A$ ) Flame loss when only the main burner (F13) is on or both burners (F14) are on	Too low gas pressure or no gas in the system	Check the gas supply
		Damage to the coil of the gas valve	Replace the coil of the gas valve
		Throttling flame	Check the patency of the combustion air system
		24 hour control	Reset using the remote control
		Ionisation pin short-circuited	Remove chips, vermiculite or glow material lying against the ionisation pin
		Ionisation current too critical ( $0.8 \leq \text{ionisation} < 1.8 \mu A$ )	Increase ionisation current to $\geq 1.8 \mu A$ by rearranging vermiculite, and removing chips and dust from the burner openings
F15	No automatic control ESYS	Loosening of the automation control	Fix the automatic control
		Not properly installed automatic control	Install properly automatic control
	High Limit error	Electrodes by the gas adjustment block connector are bent	Straighten them
		Damage to the bridge of the upper limit	Check the bridge of the upper limit ESYS
F16	Hardware failure ESYS	Damage ESYS (burner module)	Exchange ESYS (burner module)

## 12.RYSUNKI TECHNICZNE

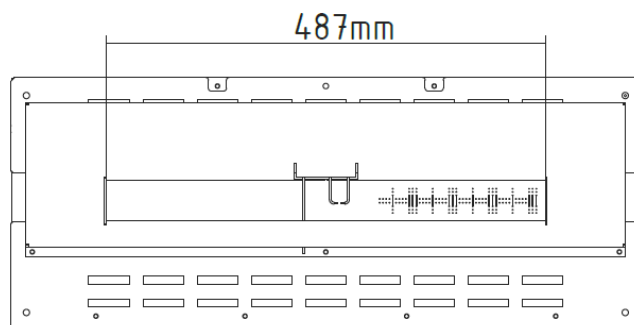
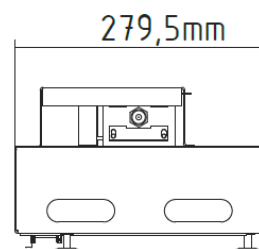
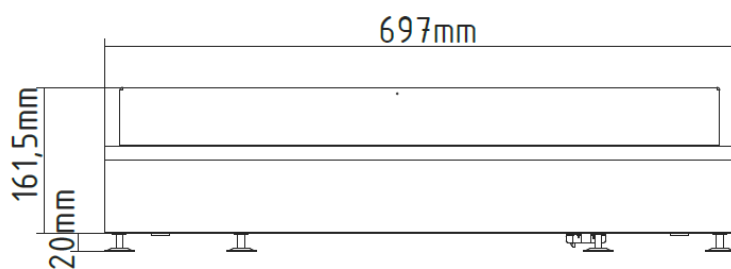
### VERSAL Insert 350



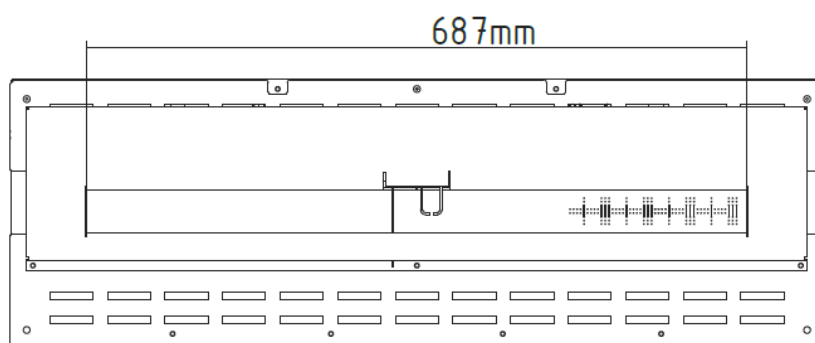
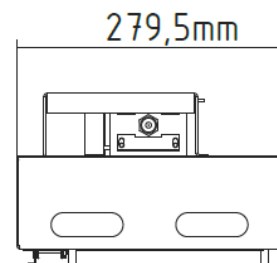
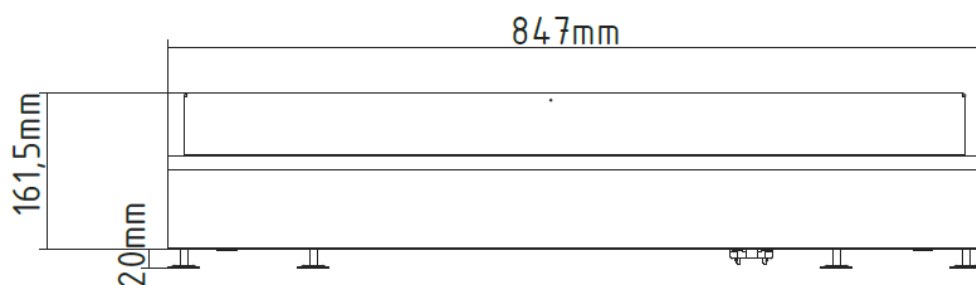
### VERSAL Insert 550



### VERSAL Insert 700



### VERSAL Insert 850



## 13. TECHNICAL SPECIFICATIONS

### VERSAL Insert 350

TECHNICAL SPECIFICATIONS							
Model	VERSAL Insert 350 F, VERSAL Insert 350 LF, VERSAL Insert 350 FR						
Type	VERSAL Insert 350 LFR, VERSAL Insert 350 W, VERSAL Insert 350 T, VERSAL Insert 350 RD						
Version	VEGA/200/F/H, VEGA/200/LF/H, VEGA/200/FR/H, VEGA/200/LFR/H, VEGA/200/W/H, VEGA/200/T/H, VEGA/200/RD/H						
Version	To be built-in						
Combustion	Open combustion chamber						
Supply and discharge system	Conventional Flue 200 mm						
Flame protection version	Separate ignition and ionization electrodes						
Protection against backward chimney draft	Yes / Thermal sensor/ Pressure sensor						
Type of the device	B <sub>BS</sub>						
Weight of the device	14 kg						
<b>Appliance category</b>	<b>I2E(20), I2H(20)</b>	<b>I2L(25), I2EK(25)</b>	<b>I2E+(20/25)</b>	<b>I3P(30)</b> <b>I3P(37)</b> <b>I3P(50)</b>	<b>I3B/P(30)</b> <b>I3B/P(37)</b> <b>I3B/P(50)</b>	<b>I3+(30/37)</b>	
<b>Reference Gas</b>	<b>G20</b>	<b>G25/G25.3</b>	<b>G20/G25</b>	<b>G31</b>	<b>G30</b>	<b>G30/G31</b>	
Nominal heat input (Hi)	kW	3,03			3,80		
Consumption on max output	m <sup>3</sup> /h	0,32			-		
Consumption on low output	m <sup>3</sup> /h	0,11			-		
Consumption on max output	kg/h	-			0,30		
Consumption on low output	kg/h	-			0,10		
Maximum burner pressure	mbar	9,7	13,4	18,7/23,7	24,0	24,0	29,0/36,0
Minimum burner pressure	mbar	4,0	5,6	5,7	6,3	6,6	6,6
Nozzle of the main burner	mm	1x Ø 1,7	1x Ø 1,7	1x Ø 1,45	1x Ø 1,1	1x Ø 1,0	1x Ø 0,95
Primary air opening	mm	2x 0,5	2x 0,5	2x 0,5	2x 4	2x 4	2x 3

### VERSAL Insert 450

TECHNICAL SPECIFICATIONS							
Model	VERSAL Insert 450 F, VERSAL Insert 450 LF, VERSAL Insert 450 FR						
Type	VERSAL Insert 450 LFR, VERSAL Insert 450 W, VERSAL Insert 450 T, VERSAL Insert 450 RD						
Version	VEGA/300/F/H, VEGA/300/LF/H, VEGA/300/FR/H, VEGA/300/LFR/H, VEGA/300/W/H, VEGA/300/T/H, VEGA/300/RD/H						
Version	To be built-in						
Combustion	Open combustion chamber						
Supply and discharge system	Conventional Flue 200 mm						
Flame protection version	Separate ignition and ionization electrodes						
Protection against backward chimney draft	Yes / Thermal sensor/ Pressure sensor						
Type of the device	B <sub>BS</sub>						
Weight of the device	18 kg						
<b>Appliance category</b>	<b>I2E(20), I2H(20)</b>	<b>I2L(25), I2EK(25)</b>	<b>I2E+(20/25)</b>	<b>I3P(30)</b> <b>I3P(37)</b> <b>I3P(50)</b>	<b>I3B/P(30)</b> <b>I3B/P(37)</b> <b>I3B/P(50)</b>	<b>I3+(30/37)</b>	
<b>Reference Gas</b>	<b>G20</b>	<b>G25/G25.3</b>	<b>G20/G25</b>	<b>G31</b>	<b>G30</b>	<b>G30/G31</b>	
Nominal heat input (Hi)	kW	3,56			4,06		
Consumption on max output	m <sup>3</sup> /h	0,38			-		
Consumption on low output	m <sup>3</sup> /h	0,13			-		
Consumption on max output	kg/h	-			0,32		
Consumption on low output	kg/h	-			0,11		
Maximum burner pressure	mbar	9,7	13,4	18,7/23,7	24,0	24,0	29,0/36,0
Minimum burner pressure	mbar	4,0	5,6	5,7	6,3	6,6	6,6
Nozzle of the main burner	mm	1x Ø 1,8	1x Ø 1,8	1x Ø 1,55	1x Ø 1,2	1x Ø 1,1	1x Ø 1,05
Primary air opening	mm	2x 0,5	2x 0,5	2x 0,5	2x 4	2x 4	2x 3

### VERSAL Insert 550

TECHNICAL SPECIFICATIONS							
Model	VERSAL Insert 550 F, VERSAL Insert 550 LF, VERSAL Insert 550 FR						
	VERSAL Insert 550 LFR, VERSAL Insert 550 W, VERSAL Insert 550 T, VERSAL Insert 550 RD						
Type	VEGA/400/F/H, VEGA/400/LF/H, VEGA/400/FR/H, VEGA/400/LFR/H, VEGA/400/W/H, VEGA/400/T/H, VEGA/400/RD/H						
Version	To be built-in						
Combustion	Open combustion chamber						
Supply and discharge system	Conventional Flue 200 mm						
Flame protection version	Separate ignition and ionization electrodes						
Protection against backward chimney draft	Yes / Thermal sensor/ Pressure sensor						
Type of the device	B <sub>BS</sub>						
Weight of the device	22 kg						
<b>Appliance category</b>	<b>I2E(20), I2H(20)</b>	<b>I2L(25), I2EK(25)</b>	<b>I2E+(20/25)</b>	<b>I3P(30)</b> <b>I3P(37)</b> <b>I3P(50)</b>	<b>I3B/P(30)</b> <b>I3B/P(37)</b> <b>I3B/P(50)</b>	<b>I3+(30/37)</b>	
<b>Reference Gas</b>	<b>G20</b>	<b>G25/G25.3</b>	<b>G20/G25</b>	<b>G31</b>	<b>G30</b>	<b>G30/G31</b>	
Nominal heat input (Hi)	kW	4,59			4,94		
Consumption on max output	m <sup>3</sup> /h	0,49			-		
Consumption on low output	m <sup>3</sup> /h	0,16			-		
Consumption on max output	kg/h	-			0,39		
Consumption on low output	kg/h	-			0,13		
Maximum burner pressure	mbar	9,7	13,4	18,7/23,7	24,0	24,0	29,0/36,0
Minimum burner pressure	mbar	4,0	5,6	5,7	6,3	6,6	6,6
Nozzle of the main burner	mm	1x Ø 2,0	1x Ø 2,0	1x Ø 1,75	1x Ø 1,3	1x Ø 1,2	1x Ø 1,15
Primary air opening	mm	2x 0,5	2x 0,5	2x 0,5	2x 4	2x 4	2x 3

### VERSAL Insert 700

TECHNICAL SPECIFICATIONS							
Model	VERSAL Insert 700 F, VERSAL Insert 700 LF, VERSAL Insert 700 FR						
	VERSAL Insert 700 LFR, VERSAL Insert 700 W, VERSAL Insert 700 T, VERSAL Insert 700 RD						
Type	VEGA/500/F/H, VEGA/500/LF/H, VEGA/500/FR/H, VEGA/500/LFR/H, VEGA/500/W/H, VEGA/500/T/H, VEGA/500/RD/H						
Version	To be built-in						
Combustion	Open combustion chamber						
Supply and discharge system	Conventional Flue 200 mm						
Flame protection version	Separate ignition and ionization electrodes						
Protection against backward chimney draft	Yes / Thermal sensor/ Pressure sensor						
Type of the device	B <sub>BS</sub>						
Weight of the device	26 kg						
<b>Appliance category</b>	<b>I2E(20), I2H(20)</b>	<b>I2L(25), I2EK(25)</b>	<b>I2E+(20/25)</b>	<b>I3P(30)</b> <b>I3P(37)</b> <b>I3P(50)</b>	<b>I3B/P(30)</b> <b>I3B/P(37)</b> <b>I3B/P(50)</b>	<b>I3+(30/37)</b>	
<b>Reference Gas</b>	<b>G20</b>	<b>G25/G25.3</b>	<b>G20/G25</b>	<b>G31</b>	<b>G30</b>	<b>G30/G31</b>	
Nominal heat input (Hi)	kW	5,25			5,96		
Consumption on max output	m <sup>3</sup> /h	0,56			-		
Consumption on low output	m <sup>3</sup> /h	0,19			-		
Consumption on max output	kg/h	-			0,47		
Consumption on low output	kg/h	-			0,16		
Maximum burner pressure	mbar	9,7	13,4	18,7/23,7	24,0	24,0	29,0/36,0
Minimum burner pressure	mbar	4,0	5,6	5,7	6,3	6,6	6,6
Nozzle of the main burner	mm	1x Ø 2,2	1x Ø 2,2	1x Ø 1,9	1x Ø 1,4	1x Ø 1,3	1x Ø 1,25
Primary air opening	mm	2x 0,5	2x 0,5	2x 0,5	2x 4	2x 4	2x 3

## VERSAL Insert 750

TECHNICAL SPECIFICATIONS							
Model	VERSAL Insert 750 F, VERSAL Insert 750 LF, VERSAL Insert 750 FR						
	VERSAL Insert 750 LFR, VERSAL Insert 750 W, VERSAL Insert 750 T, VERSAL Insert 750 RD						
Type	VEGA/600/F/H, VEGA/600/LF/H, VEGA/600/FR/H, VEGA/600/LFR/H, VEGA/600/W/H, VEGA/600/T/H, VEGA/600/RD/H						
Version	To be built-in						
Combustion	Open combustion chamber						
Supply and discharge system	Conventional Flue 200 mm						
Flame protection version	Separate ignition and ionization electrodes						
Protection against backward chimney draft	Yes / Thermal sensor/ Pressure sensor						
Type of the device	B <sub>BS</sub>						
Weight of the device	30 kg						
<b>Appliance category</b>	<b>I2E(20), I2H(20)</b>	<b>I2L(25), I2EK(25)</b>	<b>I2E+(20/25)</b>	<b>I3P(30)</b> <b>I3P(37)</b> <b>I3P(50)</b>	<b>I3B/P(30)</b> <b>I3B/P(37)</b> <b>I3B/P(50)</b>	<b>I3+(30/37)</b>	
<b>Reference Gas</b>	<b>G20</b>	<b>G25/G25.3</b>	<b>G20/G25</b>	<b>G31</b>	<b>G30</b>	<b>G30/G31</b>	
Nominal heat input (Hi)	kW	6,51			6,34		
Consumption on max output	m <sup>3</sup> /h	0,69			-		
Consumption on low output	m <sup>3</sup> /h	0,23			-		
Consumption on max output	kg/h	-			0,50		
Consumption on low output	kg/h	-			0,17		
Maximum burner pressure	mbar	9,7	13,4	18,7/23,7	24,0	24,0	29,0/36,0
Minimum burner pressure	mbar	4,0	5,6	5,7	6,3	6,6	6,6
Nozzle of the main burner	mm	1x Ø 2,4	1x Ø 2,4	1x Ø 2,1	1x Ø 1,5	1x Ø 1,4	1x Ø 1,35
Primary air opening	mm	2x 0,5	2x 0,5	2x 0,5	2x 4	2x 4	2x 3

## VERSAL Insert 850

TECHNICAL SPECIFICATIONS							
Model	VERSAL Insert 850 F, VERSAL Insert 850 LF, VERSAL Insert 850 FR						
	VERSAL Insert 850 LFR, VERSAL Insert 850 W, VERSAL Insert 850 T, VERSAL Insert 850 RD						
Type	VEGA/700/F/H, VEGA/700/LF/H, VEGA/700/FR/H, VEGA/700/LFR/H, VEGA/700/W/H, VEGA/700/T/H, VEGA/700/RD/H						
Version	To be built-in						
Combustion	Open combustion chamber						
Supply and discharge system	Conventional Flue 200 mm						
Flame protection version	Separate ignition and ionization electrodes						
Protection against backward chimney draft	Yes / Thermal sensor/ Pressure sensor						
Type of the device	B <sub>BS</sub>						
Weight of the device	34 kg						
<b>Appliance category</b>	<b>I2E(20), I2H(20)</b>	<b>I2L(25), I2EK(25)</b>	<b>I2E+(20/25)</b>	<b>I3P(30)</b> <b>I3P(37)</b> <b>I3P(50)</b>	<b>I3B/P(30)</b> <b>I3B/P(37)</b> <b>I3B/P(50)</b>	<b>I3+(30/37)</b>	
<b>Reference Gas</b>	<b>G20</b>	<b>G25/G25.3</b>	<b>G20/G25</b>	<b>G31</b>	<b>G30</b>	<b>G30/G31</b>	
Nominal heat input (Hi)	kW	7,48			7,60		
Consumption on max output	m <sup>3</sup> /h	0,79			-		
Consumption on low output	m <sup>3</sup> /h	0,26			-		
Consumption on max output	kg/h	-			0,60		
Consumption on low output	kg/h	-			0,20		
Maximum burner pressure	mbar	9,7	13,4	18,7/23,7	24,0	24,0	29,0/36,0
Minimum burner pressure	mbar	4,0	5,6	5,7	6,3	6,6	6,6
Nozzle of the main burner	mm	1x Ø 2,6	1x Ø 2,6	1x Ø 2,25	1x Ø 1,6	1x Ø 1,5	1x Ø 1,45
Primary air opening	mm	2x 0,5	2x 0,5	2x 0,5	2x 4	2x 4	2x 3

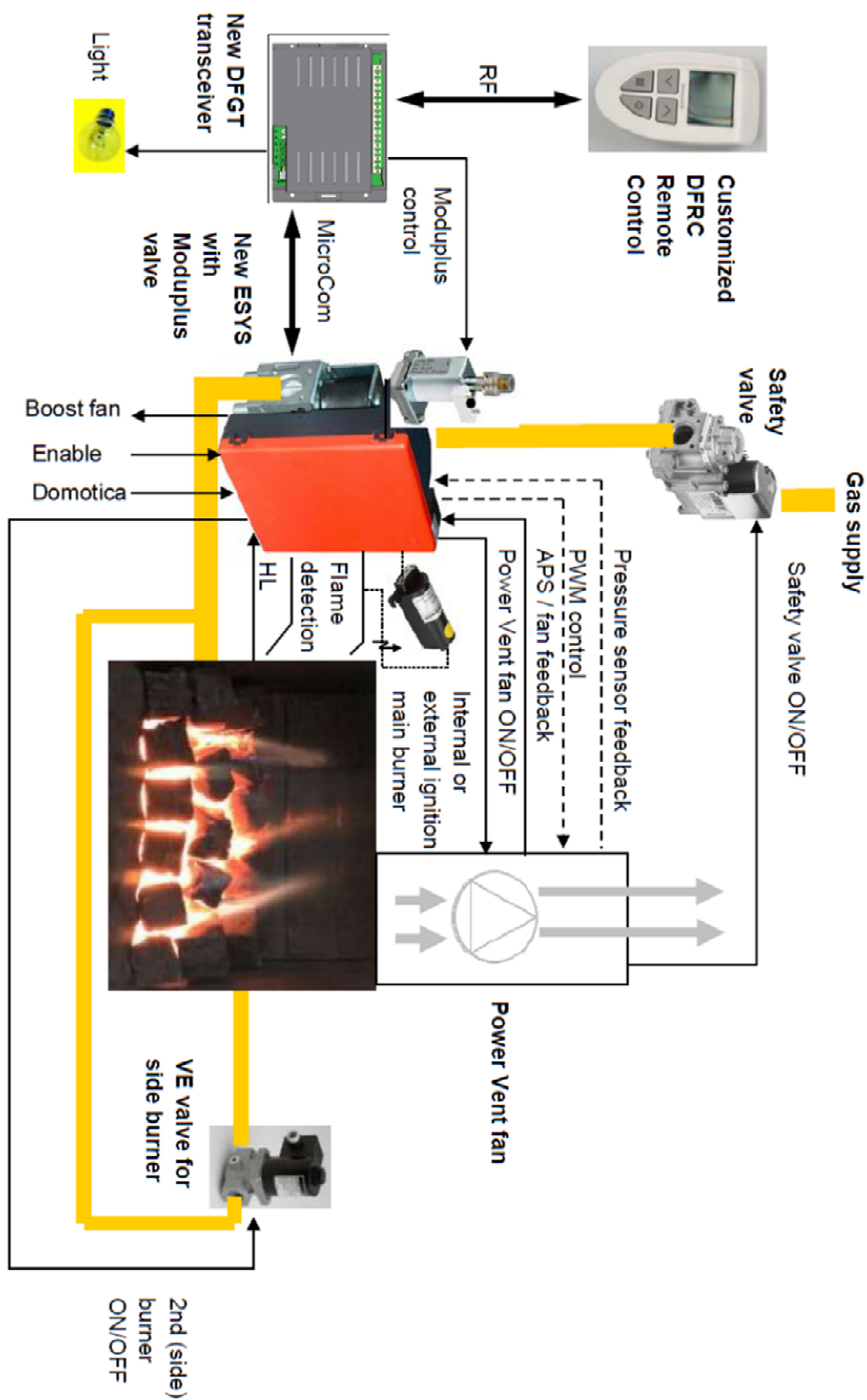
## VERSAL Insert 950

TECHNICAL SPECIFICATIONS							
Model	VERSAL Insert 950 F, VERSAL Insert 950 LF, VERSAL Insert 950 FR						
Type	VERSAL Insert 950 LFR, VERSAL Insert 950 W, VERSAL Insert 950 T, VERSAL Insert 950 RD						
Version	VEGA/800/F/H, VEGA/800/LF/H, VEGA/800/FR/H, VEGA/800/LFR/H, VEGA/800/W/H, VEGA/800/T/H, VEGA/800/RD/H						
Combustion	To be built-in						
Supply and discharge system	Open combustion chamber						
Flame protection version	Conventional Flue 200 mm						
Protection against backward chimney draft	Separate ignition and ionization electrodes						
Type of the device	Yes / Thermal sensor/ Pressure sensor						
Weight of the device	B <sub>BS</sub>						
	38 kg						
Appliance category	I2E(20), I2H(20)	I2L(25), I2EK(25)	I2E+(20/25)	I3P(30) I3P(37) I3P(50)	I3B/P(30) I3B/P(37) I3B/P(50)	I3+(30/37)	
Reference Gas	G20	G25/G25.3	G20/G25	G31	G30	G30/G31	
Nominal heat input (Hi)	kW	7,95		9,13			
Consumption on max output	m <sup>3</sup> /h	0,84		-			
Consumption on low output	m <sup>3</sup> /h	0,28		-			
Consumption on max output	kg/h	-		0,72			
Consumption on low output	kg/h	-		0,24			
Maximum burner pressure	mbar	9,7	13,4	18,7/23,7	24,0	24,0	29,0/36,0
Minimum burner pressure	mbar	4,0	5,6	5,7	6,3	6,6	6,6
Nozzle of the main burner	mm	1x Ø 2,9	1x Ø 2,9	1x Ø 2,55	1x Ø 1,7	1x Ø 1,6	1x Ø 1,55
Primary air opening	mm	2x 0,5	2x 0,5	2x 0,5	2x 4	2x 4	2x 3

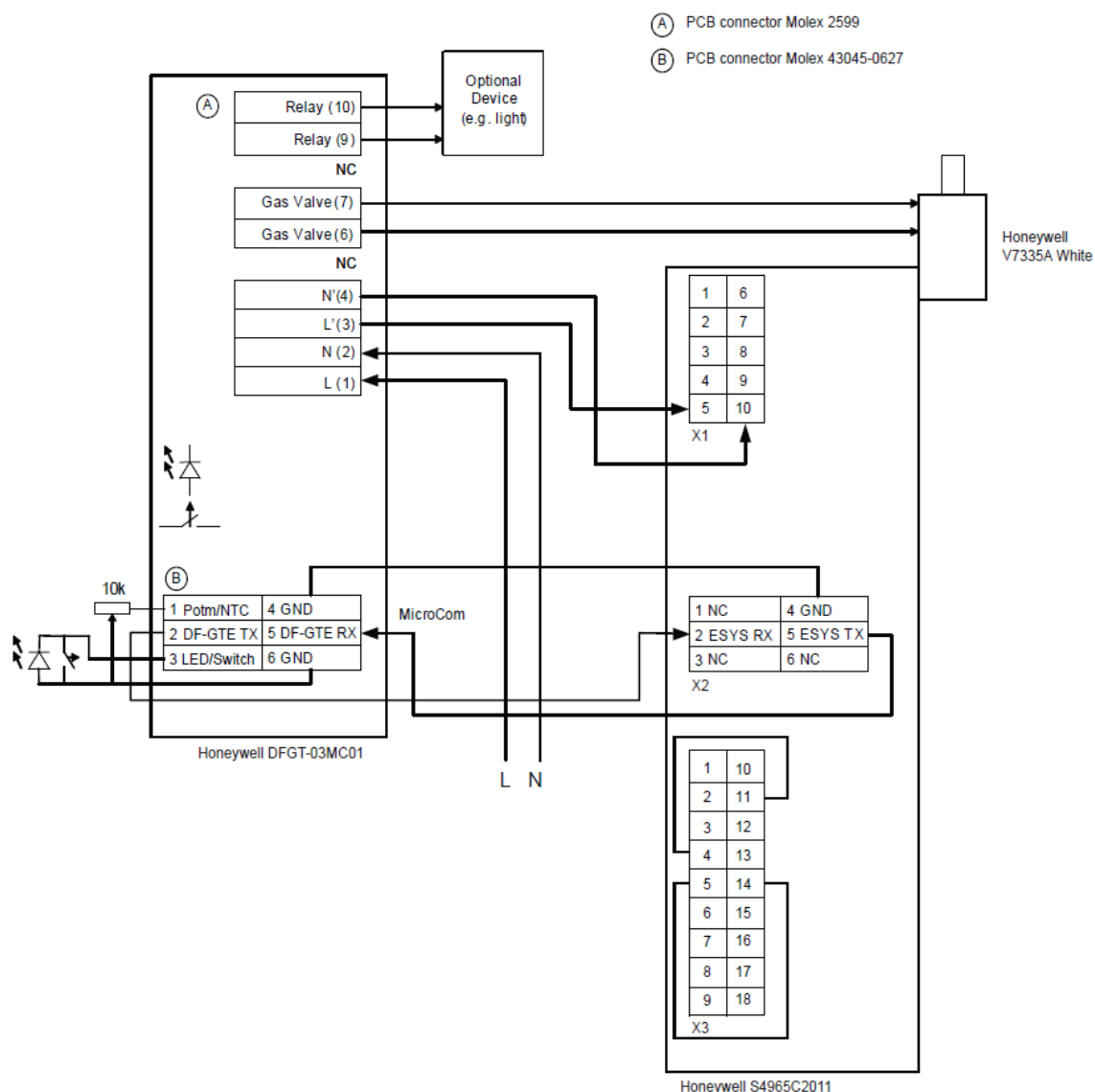


# 14.ELECTRICAL DIAGRAMS

## 14.1. Schematic diagram

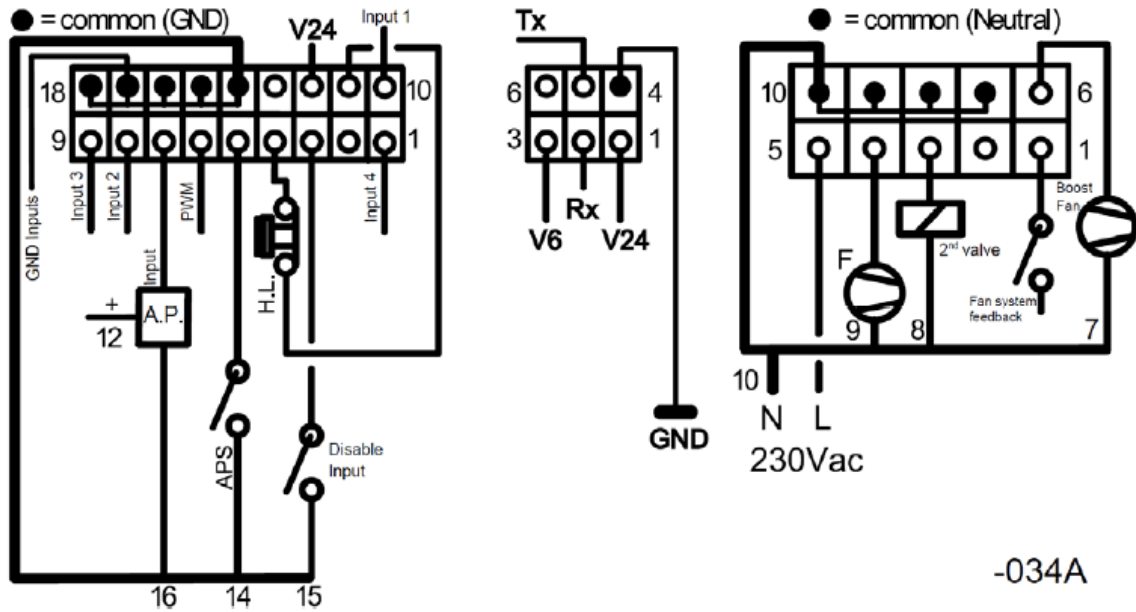


## 14.2. Wiring diagram of Decorative Fire Gas Transceiver DFGT



Connector	Pin	Description	Connection
<b>PCB Molex 2599</b>			
A	1	Molex 2599	Mains supply- L
A	2	Molex 2599	Mains supply - N
A	3	Molex 2599	Connection to ESYS - L
A	4	Molex 2599	Connection to ESYS - N
A	5	Molex 2599	NC
A	6/7	Molex 2599	PWM output Output current 0-250mA
A	8	Molex 2599	NC
A	9/10	Molex 2599	Relay - Potential free switch contact
<b>PCB Molex 43045-0627</b>			
B	1/6	Molex 43045-0627	Potentiometer/NTC-sensor
B	2	Molex 43045-0627	TX - serial communication (MicroCom)
B	3/6	Molex 43045-0627	External LED and push button
B	4	Molex 43045-0627	GND (MicroCom)
B	5	Molex 43045-0627	RX - serial communication (MicroCom)

14.3. Wiring diagram of gas controller ESYS



Connector	Pin	Description	Connection
<b>HIGH VOLTAGE (230V) CONNECTIONS</b>			
X1	1	Molex Minifit	Fan system feedback
X1	2	Molex Minifit	---
X1	3	Molex Minifit	2nd (side) burner valve – L
X1	4	Molex Minifit	FAN power supply – L
X1	5	Molex Minifit	Main Power Line Phase – L
X1	6	Molex Minifit	Boost Fan – L
X1	7	Molex Minifit	Boost Fan – N
X1	8	Molex Minifit	2nd (side) burner valve – N
X1	9	Molex Minifit	FAN power supply – N
X1	10	Molex Minifit	Main Power Line Neutral – N
<b>SAFETY EXTRA LOW VOLTAGE (SELV) CONNECTIONS</b>			
X2	1	Molex Microfit	NC
X2	2	Molex Microfit	RX serial communication (MicroCom)
X2	3	Molex Microfit	NC
X2	4	Molex Microfit	GND (MicroCom)
X2	5	Molex Microfit	TX serial communication MicroCom)
X2	6	Molex Microfit	NC
X3	1	Molex Microfit	2nd (side) burner On/Off
X3	2	Molex Microfit	NC
X3	3	Molex Microfit	Disable – input
X3	4	Molex Microfit	Safety line (High limit, air valve) – input
X3	5	Molex Microfit	APS – input
X3	6	Molex Microfit	PWM – output
X3	7	Molex Microfit	Pressure sensor – input
X3	8	Molex Microfit	Domotica 2 – input (-)

X3	9	Molex Microfit	Domotica 3 – input (+)
X3	10	Molex Microfit	Domotica 1 – input (on/off)
X3	11	Molex Microfit	Safety line (High limit, air valve) – 24V
X3	12	Molex Microfit	Pressure sensor – 24V
X3	13	Molex Microfit	NC
X3	14	Molex Microfit	APS – Gnd
X3	15	Molex Microfit	Disable– Gnd
X3	16	Molex Microfit	Pressure sensor– Gnd
X3	17	Molex Microfit	Domotica – Gnd
X3	18	Molex Microfit	PWM – Gnd

## 15. CONTACT DETAILS OF THE MANUFACTURER

**Manufacturer:** Planika Sp. z o.o.  
**Contact Details:** Bydgoska 38 Street  
86-061 Brzoza  
Poland  
**Telephone:** + 48 52 364 11 60  
**Fax:** + 48 52 364 11 70

SELLER	
Name:	Seller's seal and signature
Address:	
Tel/fax:	
Date of sale:	
BUYER	
Name:	
Address:	
Tel/fax:	
Date of purchase:	
The gas fireplace should be installed by a qualified Installer in accordance with the applicable national building regulations and in accordance with the guidelines contained in the Installation and User's Manuals.	
I hereby declare that having read the User's Manual and the Guarantee Conditions.	
Date and legible signature of the Buyer	
INSTALLER	
Name:	
Address:	
Tel/fax:	
Date of commissioning:	
I hereby declare that the gas fireplace installed by my Company has been installed in accordance with the applicable building regulations and in accordance with the guidelines contained in the Installation and User's Manuals. The installed gas fireplace is ready for safe operation.	
Installer's seal and signature	

REGISTER OF APPLIANCE INSPECTIONS	

REGISTER OF CONCENTRIC FLUE SYSTEM INSPECTIONS	
Inspection during the fireplace installation	Date, signature and seal of the chimney sweeper
Date, signature and seal of the chimney sweeper	Date, signature and seal of the chimney sweeper
Date, signature and seal of the chimney sweeper	Date, signature and seal of the chimney sweeper
Date, signature and seal of the chimney sweeper	Date, signature and seal of the chimney sweeper
Date, signature and seal of the chimney sweeper	Date, signature and seal of the chimney sweeper