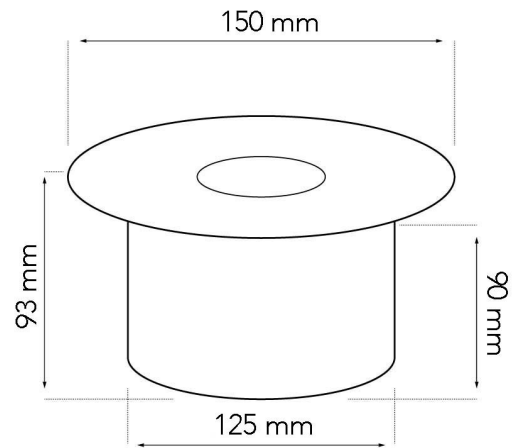




BIO343-OUT

Outdoor Manual Bioethanol Burner



TECHNICAL SPECIFICATIONS

Type	Manual Bioethanol Burner
Size	Outside: Height: 93 mm / Diameter: 150 mm Inside: Height: 90 / Diameter: 125 mm
Materials	Stainless steel
Weight	Approx. 2 kg
Burner	Nonadjustable manual bioethanol burner
Capacity	1.0 Liter
Usage	Approx. 0.33 L/hour - Max 3h00m per filling
Fuel	Bioethanol (Recommended 96,6% alcohol)
Colour	Brushed steel
Heat Output	1.14 kW
Electricity	No