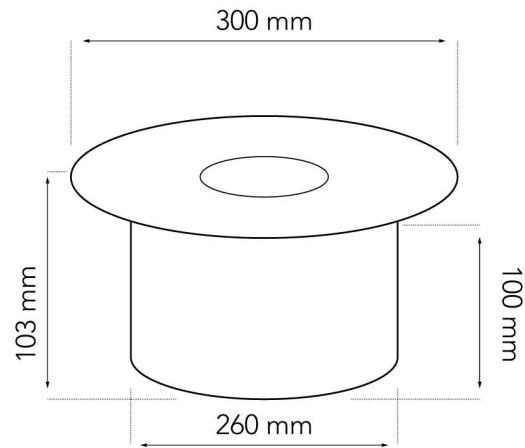




# BIO331-OUT

## Outdoor Manual Bioethanol Burner



### TECHNICAL SPECIFICATIONS

Type	Manual Bioethanol Burner
Size	<b>Outside:</b> Height: 103 mm / Diameter: 300 mm <b>Inside:</b> Height: 100 / Diameter: 260 mm
Materials	Stainless steel
Weight	Approx. 5 kg
Burner	Nonadjustable manual bioethanol burner
Capacity	5.0 Liter
Usage	Approx. 0.50 L/hour - Max 10h00m per filling
Fuel	Bioethanol (Recommended 96,6% alcohol)
Colour	Brushed steel
Heat Output	4.34 kW
Electricity	No