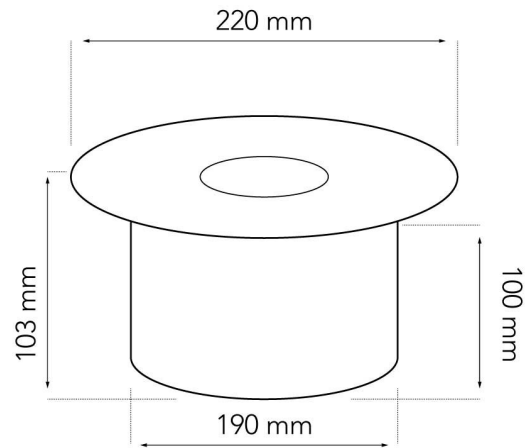




BIO330-OUT

Outdoor Manual Bioethanol Burner



TECHNICAL SPECIFICATIONS

Type	Manual Bioethanol Burner
Size	Outside: Height: 103 mm / Diameter: 220 mm Inside: Height: 100 / Diameter: 190 mm
Materials	Stainless steel
Weight	Approx. 2.5 kg
Burner	Nonadjustable manual bioethanol burner
Capacity	2.5 Liter
Usage	Approx. 0.40 L/hour - Max 6h00m per filling
Fuel	Bioethanol (Recommended 96,6% alcohol)
Colour	Brushed steel
Heat Output	2.17 kW
Electricity	No