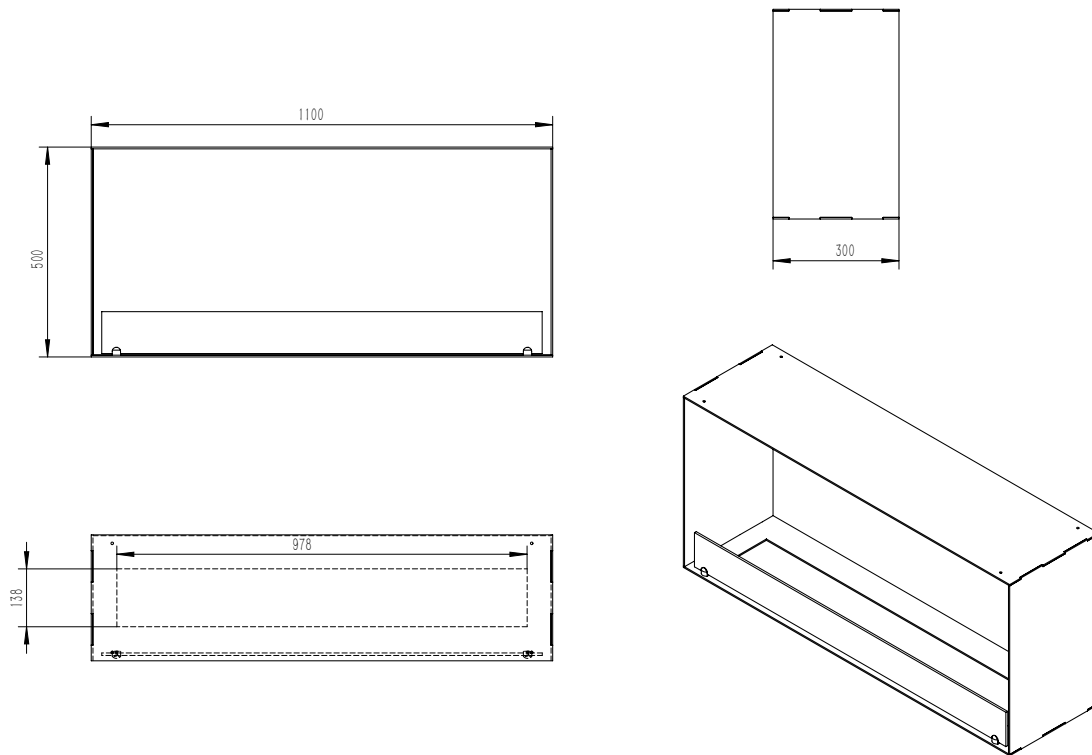




Foco One 1100 Medium

BIO-30-135 (Manual Burner)



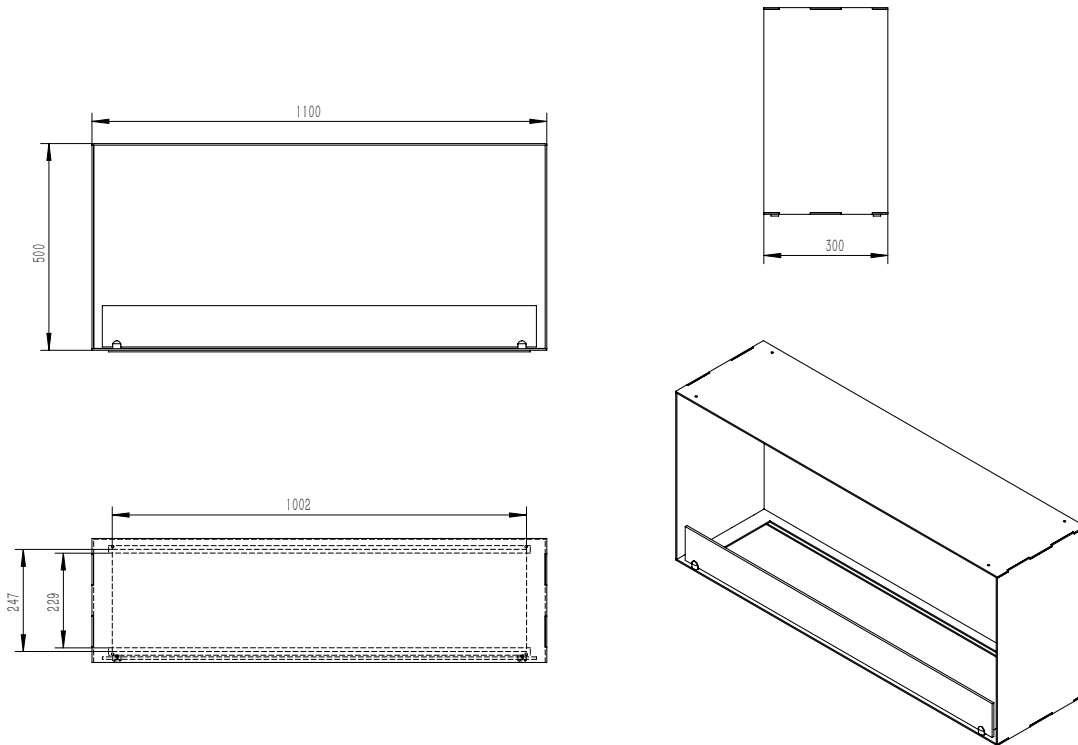
TECHNICAL SPECIFICATIONS

Type	Built-in Bioethanol Fireplace
Size	Height: 500 mm Width: 1100 mm / Depth: 300 mm (Height with burner: 580 mm)
Materials	Steel
Weight	Approx. 24 kg
Burner	Adjustable Manuel bioethanol burner (Burner width: 1000 mm / Flame width: 850 mm)
Capacity	5,0 Liter
Usage	Approx 0.87 L/h - Up to 5h45m per filling
Fuel	Bioethanol (Recommended 96,6% alcohol)
Colour	Black
Heat Output	6.56 kW
Electricity	No



Foco One 1100 Medium

BIO-30-135 (Automatic Burner)



TECHNICAL SPECIFICATIONS

Type	Built-in Bioethanol Fireplace
Size	Height: 500 mm Width: 1100 mm / Depth: 300 mm (Height with burner: 645 mm)
Materials	Steel
Weight	Approx. 35 kg
Burner	Planika PrimeFire 1000 - Automatic Bioethanol Burner
Capacity	3.5 Liter
Usage	Approx 0.58 - 0.87 L/h - Max 6h00m per filling
Fuel	Bioethanol (Recommended Fanola Premium)
Colour	Black
Heat Output	3.7 - 5.6 kW
Electricity	Yes