

BIO-30-021B // Automatic Built-in Fireplace 100 cm

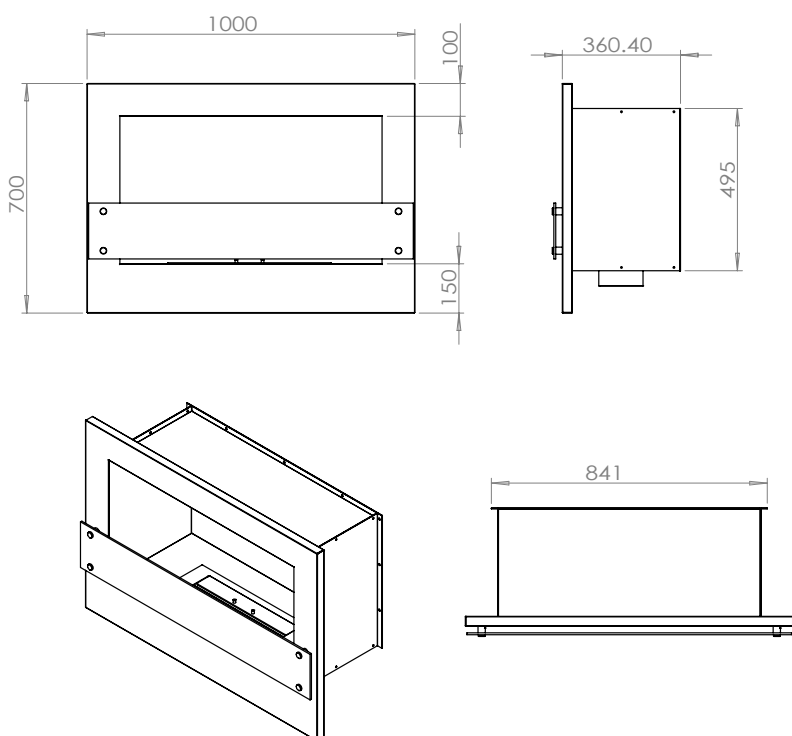
Technical Specifications

Fireplace Type	Automatic built-in bioethanol fireplace
Fuel	Bioethanol, max. 97.5% alcohol
Weight	28 kg.
Materials	Stainless Steel, Tempered Glass
Size	Height: 700 / Width: 1000 / Depth: 360.40 mm.
Colour	Black
Burner type	Automatic
Capacity	2.7 liter
Adjustable flame	No
Burn time	Up to 7 hours
Requires electricity	Yes
Heat effect	2.85 kW/h

Pictures



Technical Drawings



www.biofireplacegroup.com

Date of publication: 08/10-2018