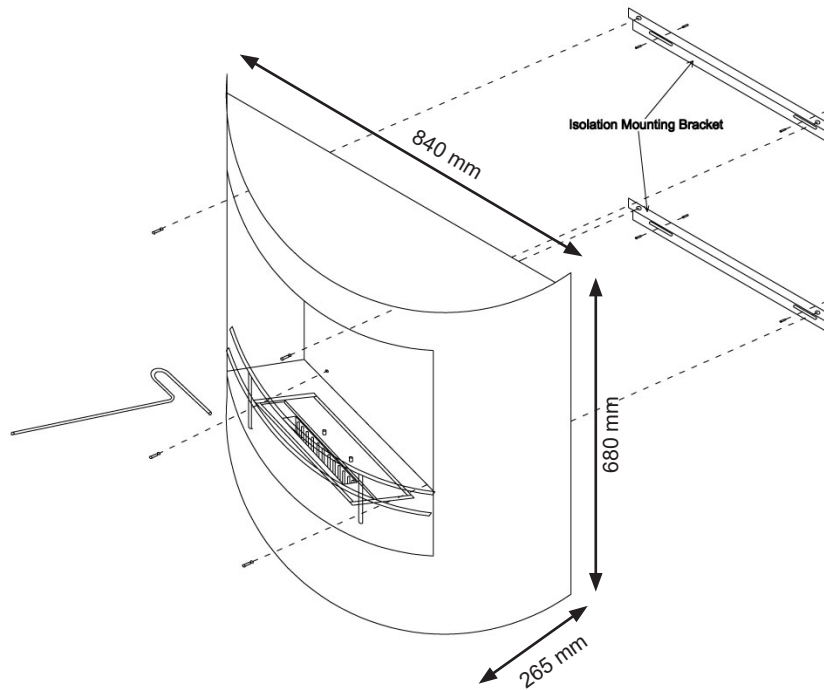




# BIO-10-047

## Wall-mounted Bioethanol Fireplace



### TECHNICAL SPECIFICATIONS

Type	Wall-mounted Bioethanol Fireplace
Size	Height: 680 mm / Width: 840 mm / Depth: 265 mm
Materials	Steel
Weight	21.5 kg
Burner	Manual bioethanol burner
Capacity	1.5 litres
Usage	Approx 0.25 L/hour - Max 6 hour per filling
Fuel	Bioethanol (Recommended 96,6% alcohol)
Colour	Black
Heat Output	2,17 kW
Electricity	No