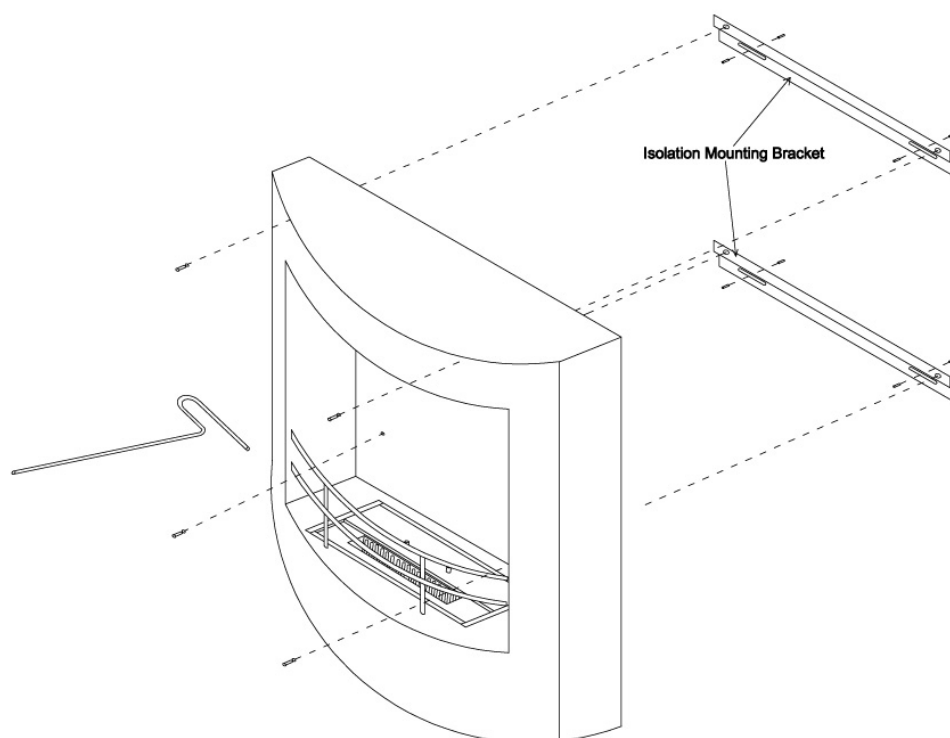




BIO-10-007



TECHNICAL SPECIFICATIONS

Type	Wall-mounted bioethanol fireplace
Size	Height: 600 mm / Width: 550 mm / Depth: 170 mm
Materials	Stainless steel and robax glass
Weight	12 kg.
Burner	Adjustable Manuel Burner (Burner width: 285 mm / Flame width: 180 mm)
Capacity	1 Liter
Usage	Approx 0.18 L/h - Up to 5h15m per filling
Fuel	Bioethanol (Recommended 96,6% alcohol)
Colour	Black and steel
Heat Output	2,17 kW
Electricity	No