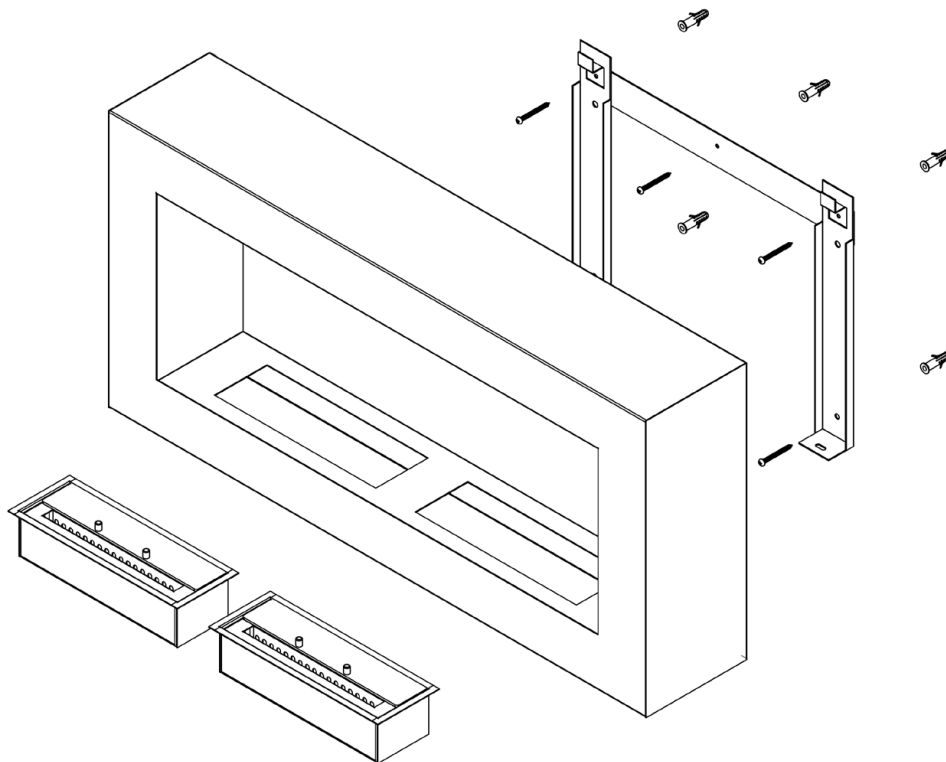




BIO-10-005



TECHNICAL SPECIFICATIONS

Type	Wall-mounted bioethanol fireplace
Size	Height: 430 mm / Width: 900 mm / Depth: 200 mm
Materials	Steel
Weight	19,5 kg.
Burner	Adjustable Manuel bioethanol burner (Burner width: 285 mm / Flame width: 180 mm)
Capacity	2 x 1 Liter
Usage	Approx 0.18 L/h - Up to 5h15m per filling
Fuel	Bioethanol (Recommended 96,6% alcohol)
Colour	Steel
Heat Output	3,6 kW
Electricity	No