

Fires Collection



Dimplex[®]

The widest range of electric fires imaginable
2016/17

dimplex.co.uk/fires



Opti-myst fires A stunning range surpassing all expectations for realism in an electric fire



5

Optiflame fires A range of contemporary and traditional fires using our original and the world's best-selling electric flame effect



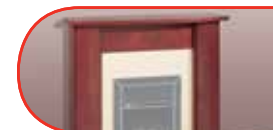
21

Opti-V fires A virtual fireplace experience like no other. A perfect blend of magic and realism



59

Surrounds Three surrounds ready for use with Dimplex electric inset fires



62

Radiant fires A collection of traditional radiant bar fires



63

Accessories A range of accessories and detailed specifications for our products



66

Light your fire

There is nothing quite like a fire – it creates a wonderful feeling of comfort and cosiness. And with a Dimplex electric fire you can enjoy these benefits at the flick of a switch. Installation is also easy with none of the cost and siting constraints associated with flue and gas connections and no need for annual servicing either. All Dimplex electric fires come complete with a fitted plug and many don't even require a fireplace. You simply plug-in and go!*

At Dimplex safety is always a priority too, so all our electric fires have the added reassurance of BEAB approval** which means they have been produced to the most stringent safety requirements for domestic electrical appliances.

With a wide range of traditional and ultra modern designs, we can offer a fire for every living area and every budget.

You can also choose from three stunning flame effects – Optiflame®, Opti-myst® and Opti-V®. Please see individual product pages for details of the flame effect fitted to each fire.

* wall mounted and Opti-V fires require installation. Opti-myst range requires water to be added
** approved or awaiting approval at time of printing



The Display and Demonstrate range is only available for viewing, demonstration of features and purchase from retailers with showroom premises. For details of where to view and purchase these products, please visit our website, www.dimplex.co.uk/fires and click on the "Where to Buy" section of the individual product pages.



See a video of the flame effect for yourself at www.dimplex.co.uk/optimyst

Deceptively Real

Looking deceptively real, Opti-myst® will captivate you from the moment you see it. The fully 3-dimensional effect uses established ultrasonic technology to create an ultra-fine water mist. As the mist rises up through the logs or coals, the light reflects against the water creating a convincing illusion of flames and smoke. The result is an appearance so authentic it will be mistaken for true flames and smoke.

Opti-myst® –

An effect that surpasses all expectations for realism in an electric fire.

See it and believe it!

Whitmore

Classic chic and amazing effects

- A classic cast iron inset fire featuring the unique Opti-myst® flame and smoke effect
- NEW. Coal effect fuel bed
- Cast iron frame and fret
- Fully variable flame and smoke intensity control
- 2kW fan heater with choice of two heat settings
- Thermostat
- Remote control
- Opti-myst® effect can be used independently of heat
- Inset depth of just 65mm
- Quick-fit IEC (kettle-type) connection
- Optional spacer (OSP002) available (at extra cost) allows use flat-to-wall
- Model no. WMR20

Subject to availability



Remote control



Product dimensions please see pages 64-66

See page 4 for details

opti-myst®



opti-myst®



Sacramento

Unrivalled elegance and style

- Stylish chrome effect contemporary inset fire featuring the unique Opti-myst® flame and smoke effect
- NEW. Coal effect fuel bed
- Fully variable flame and smoke intensity control
- 2kW fan heater with choice of two heat settings
- Thermostat
- Remote control
- Opti-myst® effect can be used independently of heat
- Inset depth of just 65mm
- Quick-fit IEC (kettle-type) connection
- Optional spacer (OSP002) available (at extra cost) allows use flat-to-wall
- Model no. SCR20



Remote control



See page 4 for details

Product dimensions please see pages 64-66

Danville

Popular choice in four finishes

- Inset fire with unique Opti-myst® smoke and flame effect
- NEW. Coal effect fuel bed
- Fully variable flame and smoke intensity control
- 2kW fan heater with choice of two heat settings
- Thermostat
- Remote control
- Opti-myst® effect can be used independently of heat
- Inset depth of just 65mm
- Quick-fit IEC (kettle-type) connection
- Optional spacer (OSP002) available at extra cost allows use flat-to-wall
- Available in four finishes:
 - DNV20AB – antique brass
 - DNV20BL – black
 - DNV20BR – brass
 - DNV20CH – chrome



Remote control

Product dimensions please see pages 64-66



See page 4 for details



ANTIQUE BRASS



CHROME



BRASS



BLACK



See page 4 for details



Remote control

Product dimensions please see pages 64-66

Auberry

A fresh alternative to the traditional look

- Medium-sized stove with Opti-myst® – the world's most realistic electric flame and smoke effect
- Creamy-white, gloss enamel-style finish
- Fully variable flame and smoke intensity control
- 2kW fan heater with choice of two heat settings
- Thermostat
- Opening doors
- Remote control
- Flame effect can be used independently of heat
- Quick-fit IEC (kettle-type) connection
- Model no. AUB20



Remote control



Product dimensions please see pages 64-66

See page 4 for details

opti-myst®





Oakhurst

Stove simplicity, effortlessly

- Traditional medium-sized style stove with realistic Opti-myst® flame and smoke effect
- Fully variable flame and smoke intensity control
- 2kW fan heater with choice of two heat settings
- Thermostat
- Opening door
- Remote control
- Flame effect can be used independently of heat
- Quick-fit IEC (kettle-type) connection
- Model no. OKT20



Remote control



See page 4 for details

Product dimensions please see pages 64-66

Meribel

High style

- Cast-iron style stove incorporating Opti-myst® flame and smoke effect
- Creamy-white gloss enamel-style finish
- Fully variable flame and smoke intensity control
- 2kW fan heater with choice of two heat settings
- Thermostat and remote control
- Opening doors for added authenticity
- Flame effect can be used independently of heat
- Model no. MRB20



Remote control

Product dimensions please see pages 64-66



See page 4 for details





Burgate

A stove that's a real wow

- Cast-iron style stove incorporating Opti-myst® flame and smoke effect
- Black gloss enamel-style finish
- Fully variable flame and smoke intensity control
- 2kW fan heater with choice of two heat settings
- Thermostat and remote control
- Opening doors for added authenticity
- Flame effect can be used independently of heat
- Model no. BRG20



Remote control



See page 4 for details

Product dimensions please see pages 64-66

Piermont

Give rooms a homely look

- Opti-myst® flame and smoke effect
- Fully variable flame and smoke intensity control
- 2kW fan heater with choice of two heat settings
- Concealed fan heater
- Opti-myst® effect can be used independently of heat
- Black finish
- Model no. PMN20

Subject to availability





Silverton

Bring unused fireplaces back to life

- Electric fire basket with individual logs
- Realistic Opti-myst® flame and smoke effect
- Low energy LED special effect lighting
- Removable glowing ash bed
- Remote control
- Assembly required
- Model no. SVT20

Note: This fire does not include a heater



Remote control



See page 4 for details

Product dimensions please see pages 64-66

Westbrook



Traditional cast-iron basket fire

- Electric fire basket with cast iron components for added authenticity
- Realistic Opti-myst® flame and smoke effect
- Fully variable flame and smoke intensity control
- Remote control
- Quick-fit IEC (kettle-type) connection
- Model no. WBK20

Note: This fire does not include a heater

Subject to availability



Remote control



Product dimensions please see pages 64-66

See page 4 for details





Alameda

All-in-one solution for a dramatic focal point fire

- Complete suite incorporating Opti-myst® – the world's most realistic electric flame and smoke effect
- Fully variable flame and smoke intensity control
- Stone effect surround
- Brick effect back panel – removable if matt black finish required.
- Fully concealed 2kW fan heater with choice of two heat settings
- Thermostat
- Remote control
- Flame effect can be used independently of heat
- Quick-fit IEC (kettle-type) connection
- Requires assembly
- Model no. ALM20



Remote control



See page 4 for details

Product dimensions please see pages 64-66

Moorefield

Any time, any place elegance

- Complete suite incorporating realistic Opti-myst® flame and smoke effect fire
- Stone effect surround
- Fully variable flame and smoke intensity control
- 2kW fan heater with choice of two heat settings
- Thermostat
- Remote control
- Concealed fan heater
- Flame effect can be used independently of heat
- Quick-fit IEC (kettle-type) connection
- Model no. MFD20



Remote control



Product dimensions please see pages 64-66

See page 4 for details



opti-myst®

opti-myst®



Pebble bed

PART OF OUR
Display &
Demonstrate
COLLECTION

See page 4 for details

Tahoe

A stylish statement

- Rectangular wall fire with unique Opti-myst® smoke and flame effect
- Open fronted design
- Fully variable flame and smoke intensity control
- Silent flame and smoke effect operation
- 2kW fan heater with choice of two heat settings
- Thermostat
- Remote control
- Opti-myst® effect can be used independently of heat
- Chassis can also be partially inset so that the frame protrudes with just a 20mm gap to the wall. Inset instructions are available from the Dimplex website
- Quick-fit IEC (kettle-type) connection
- Total depth of just 170mm
- Black finish
- White pebble bed available as optional extra (part OMWFPB)
- Model no. TAH20



Remote control

Product dimensions please see pages 64-66

Redway

Art in flames for your wall

- Wall fire with unique Opti-myst® smoke and flame effect
- Open fronted design
- Fully variable flame and smoke intensity control
- Silent flame and smoke effect operation
- 2kW fan heater with choice of two heat settings
- Thermostat
- Remote control
- Opti-myst® effect can be used independently of heat
- Chassis can also be partially inset so that the frame protrudes with just a 20mm gap to the wall. Inset instructions are available from the Dimplex website
- Quick-fit IEC (kettle-type) connection
- Total depth of just 181mm
- Black finish with anthracite
- White pebble bed available as optional extra (part OMWFPB)
- Model no. RDY20 (Redway)



Remote control



See page 4 for details

Product dimensions please see pages 64-66



Pebble bed

Optiflame®



See a video of the flame effect for yourself at www.dimplex.co.uk/optiflame

The world's most popular electric flame effect

Optiflame® is our original and the world's best-selling electric flame effect. So many people around the world appreciate the benefits of using a Dimplex Optiflame® electric fire.

Optiflame® creates the illusion of flames emanating from the centre of a fuel bed to provide a realistic glow that can be enjoyed throughout the whole year.

All Dimplex Optiflame® fires are 100% efficient at point of use, so no heat is wasted.

The 'flames' can also be used independently of the heating, so you can enjoy the cosiness of the flames on those dark but mild spring and autumn evenings.

All fires also come complete with a fitted plug and many don't even require a fireplace! However if your preference is for a complete fireplace, Dimplex can offer this too with a choice of suites and ready-to-fit surrounds.

Adagio

Ring the changes with a choice of fuel beds

- Inset fire with unique Optiflame® effect
- Supplied with large white pebbles and real coal
- One piece cast front and frame
- 2kW fan heater with choice of two heat settings
- Flame effect can be used independently of heat
- Low running cost LED lighting
- Inset depth of just 55mm fully inset or can be used flat-to-wall using spacer provided
- Designed to fit 16" and 18" fireplaces and all conventional flues
- Choice of finishes:
ADG20 – polished cast iron finish with brass effect knob and stainless steel effect canopy
ADG20BR – polished brass effect with brass/chrome effect knob and black canopy
ADG20BN – polished black nickel effect and black canopy



CHROME with pebbles



BRASS with coals



BLACK NICKEL with coals

Optiflame

Optiflame



Coal bed

Aspen

Simple sophistication

- Inset fire with unique Optiflame® effect
- Supplied with pebbles and real coal
- 2kW fan heater with choice of two heat settings
- Flame effect can be used independently of heat
- Low running cost LED lighting
- Inset depth of just 55mm fully inset or can be used flat-to-wall using spacer provided
- Designed to fit 16" and 18" fireplaces and all conventional flues
- Stainless steel effect finish with brass effect details
- Model no. ASP20

Product dimensions please see pages 64-66

Danesbury

Popular for its elegance

- Inset fire with unique Optiflame® effect
- Supplied with real coal
- 2kW fan heater with choice of two heat settings
- Thermostat
- Flame effect can be used independently of heat
- Low running cost LED lighting
- Controls concealed beneath lift-up canopy
- Inset depth of just 55mm fully inset or can be used flat-to-wall using spacer provided
- Designed to fit 16" and 18" fireplaces and all conventional flues
- Choice of finishes:
 - DAN20CH-LED – chrome
 - DAN20BR – brass effect
 - DAN20BL – black
 - DAN20AB – antique brass effect



CHROME



BRASS



BLACK



ANTIQU BRASS

Delius

Retro chic with contemporary style

- 2kW fan heater with choice of two heat settings
- Thermostat
- Flame effect can be used independently of heat
- Low running cost LED lighting
- Designed to fit 16" and 18" fireplaces and all conventional flues
- Inset depth of just 55mm fully inset or can be used flat-to-wall using spacer provided
- Optiflame® effect with coal and white pebbles
- Chrome effect detailing
- Choice of finishes:
DLS20 – Stainless steel effect
DLS20BN-LED – Black nickel effect



With coals

Product dimensions please see pages 64-66



DLS20BN-LED only
See page 4 for details



Optiflame



With pebbles

Elda

Curves in all the right places

- Inset fire with unique Optiflame® effect
- Supplied with pebbles and real coal
- 2kW fan heater with choice of two heat settings
- Flame effect can be used independently of heat
- Low running cost LED lighting
- Inset depth of just 55mm fully inset or can be used flat-to-wall using spacer provided
- Designed to fit 16" and 18" fireplaces and all conventional flues
- Stainless steel effect finish
- Model no. ELD20

Product dimensions please see pages 64-66

Exbury

A classic that's right up to date

- Canopy free fire – no protrusion from fan heater
- 1.0kW inset or freestanding fire with Optiflame® effect
- Low running cost LED lighting
- Thermostat
- Designed to fit 16” and 18” fireplaces and all conventional flues
- Fits flat-to-wall with 70mm spacer (included)
- Remote control
- Real coals
- Flame effect can be used independently of heat source
- Choice of finishes:
EBY15CH – chrome effect
EBY15 – brass effect
EBY15AB-LED – antique brass effect



Remote control

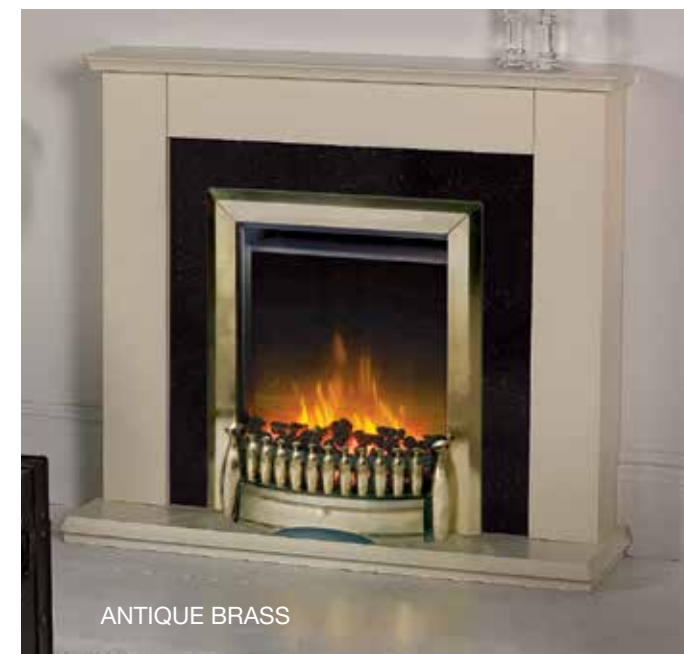
Product dimensions please see pages 64-66



EBY15AB-LED only
See page 4 for details



Optiflame®



Optiflame



STAINLESS STEEL



BLACK NICKEL

Freeport

Chic curves with a choice of finishes

- Optiflame® LED low energy effect with coal and white pebbles
- Near silent operation of the flame effect
- Flame effect only – energy consumption of just 9 Watts
- Inset depth of just 55mm without spacer
- 2kW fan heater with choice of two heat settings
- Thermostat
- Can be used flat-to-wall with 60mm spacer provided
- Quick-fit IEC (kettle-type) connection
- Designed to fit 16” and 18” fireplaces and all conventional flues
- Choice of finishes:
 - FPT20 – stainless steel effect with chrome effect details and polished cast fret
 - FPT20BN – black nickel effect



See page 4 for details

Product dimensions please see pages 64-66

Horton

Tradition in three tempting styles

- Inset fire with unique Optiflame® effect
- Low running cost LED lighting
- Supplied with real coal
- 2kW fan heater with choice of two heat settings
- Thermostat
- Flame effect can be used independently of heat
- Controls concealed beneath lift-up canopy
- Inset depth of just 55mm fully inset or can be used flat-to-wall using spacer provided
- Designed to fit 16" and 18" fireplaces and all conventional flues
- Choice of finishes:
HTN20BR – brass effect with black detail
HTN20BL – black with brass effect detail
HTN20CH – chrome effect with black detail



Optiflame

CHROME



BRASS



BLACK

Montclair

Modernist style

- Contemporary stainless steel effect electric fire
- Optiflame® LED low energy effect
- Supplied with pebbles
- Flame effect only – energy consumption of just 9 Watts
- Inset depth of 75mm
- Optional spacer (SPA-OF1) available at extra cost allows use flat-to-wall
- 2kW fan heater with choice of two heat settings
- Designed to fit 16” and 18” fireplaces and all conventional flues
- Model no. MTC20

Subject to availability



Product dimensions please see pages 64-66

See page 4 for details



Optiflame

Optiflame



Rockport

Elegantly polished with low energy

- Optiflame® LED low energy effect with coal and white pebbles
- Near silent operation of the flame effect
- Flame effect only – energy consumption of just 9 Watts
- Inset depth of just 55mm without spacer
- 2kW fan heater with choice of two heat settings
- Thermostat
- Can be used flat-to-wall with 60mm spacer provided
- Quick-fit IEC (kettle-type) connection
- Polished cast iron finish with stainless steel effect canopy
- Designed to fit 16" and 18" fireplaces and all conventional flues
- Model no. RKT20



See page 4 for details

Product dimensions please see pages 64-66

Stamford Brass

A taste of tradition

- Traditional brass-effect inset fire
- Optiflame® LED low energy effect
- Supplied with real coal
- 2kW fan heater with choice of two heat settings
- Flame effect only – energy consumption of just 9 Watts
- Inset depth of 75mm
- Optional spacer (SPA-OF1) available at extra cost allows use flat-to-wall
- Designed to fit 16” and 18” fireplaces and all conventional flues
- Model no. STM20



Optiflame



Stamford Chrome

Eye-catching sharp design

- Traditional chrome effect inset fire
- Optiflame® LED low energy effect with real coal
- 2kW fan heater with choice of two heat settings
- Energy consumption of just 9 Watts with flame effect only
- Inset depth of 75mm
- Optional spacer (SPA-OF1) available at extra cost allows use flat-to-wall
- Designed to fit 16" and 18" fireplaces and conventional flues
- Model no. STM20CH



See page 4 for details

Product dimensions please see pages 64-66

Wynford

A style that fits anywhere

- Inset fire with unique Optiflame® effect
- Supplied with real coal
- Low running cost LED lighting
- 2kW fan heater with choice of two heat settings
- Flame effect can be used independently of heat
- Inset depth of just 55mm fully inset or can be used flat-to-wall using spacer provided
- Designed to fit 16" and 18" fireplaces and all conventional flues
- Choice of three finishes:
WYN20AB – antique brass effect finish
WYN20BR – brass effect finish with black detail
WYN20CH – chrome effect finish with black detail

Optiflame





BRASS



CHROME

Loxley

Optiflame

Freestanding or inset, sets a cosy scene

- Canopy-free fire – no protrusion from fan heater
- 1.0kW inset or freestanding fire with Optiflame® effect
- Low running cost LED lighting
- Thermostat
- Supplied with real coals
- Fits flat-to-wall with 70mm spacer supplied
- Flame effect can be used independently of heat
- Remote control
- Brass effect finish
- Model no. LXY15

Subject to availability



Remote control

Product dimensions please see pages 64-66



X1S & X1B

Canopy-free with a concealed fan

- Canopy free fire – no protrusion from fan heater
- 1.0kW inset or freestanding fire with Optiflame® effect
- Low running cost LED lighting
- Thermostat
- Designed to fit 16" and 18" fireplaces and all conventional flues
- Fits flat-to-wall with 70mm spacer (included)
- Remote control
- Coal and small white pebbles supplied as standard
- Flame effect can be used independently of heat source
- Model nos. X1S, X1B

Subject to availability



Remote control

Product dimensions please see pages 64-66
For details of surrounds, see back page

Castillo

Cut a dash with contemporary style

- Unique Optiflame® effect
- Freestanding and fits flat-to-wall
- Real coals and white pebbles supplied
- Chrome and satin silver effect
- 2kW fan heater with choice of two heat settings
- Compatible with hearth pad accessory HPD001
- Flame effect can be used independently of heat source
- Model no. CST20



With coals



With pebbles

Optiflame



Cheriton

A popular freestanding favourite

- Freestanding fire with Optiflame® effect and real coals
- Designed to fit “flat-to-wall”; no inset depth required
- Black and brass effect finish
- 2kW fan heater with choice of two heat settings
- Compatible with hearth pad accessory HPD001
- Flame effect can be used independently of heat source
- Low running cost LED lightning
- Thermostat
- Remote control
- Model no. CHT20

Detroit

Bold in black and chrome

- Freestanding fire with Optiflame® effect
- Supplied with white pebbles and real coals
- Fits flat-to-wall; no inset depth required
- 2kW fan heater with choice of two heat settings
- Flame effect can be used independently of heat
- Black and chrome effect finish
- Shown with optional hearth pad model no. HPD001 (see page 62)
- Model no. DTT20



With pebbles



With coals

Optiflame



With coals

Zamora

Freestanding elegance, anywhere

- Unique Optiflame® effect
- Freestanding and fits flat-to-wall
- Real coals and white pebbles supplied
- Black and chrome effect finish
- 2kW fan heater with choice of two heat settings
- Shown with optional hearth pad model no. HPD001 (see page 62)
- Flame effect can be used independently of heat source
- Model no. ZAM20



With pebbles

Product dimensions please see pages 64-66

Club

A medium sized stove that's great anywhere

- Mid-sized cast-iron style electric stove
- Optiflame® LED low energy flame effect
- 2kW fan heater with choice of two heat settings
- Finished in matt black
- Remote control
- Compatible with stove pipe accessory STP001 and hearth pad HPD001 (see page 66)
- Flame effect can be used independently of heat source
- Model no. CLB20



Remote control

Product dimensions please see pages 64-66
**Plinth shown is not supplied. See page 66*



Optiflame



Courchevel

Brighten up any room with style

- Fresh looking, mid-sized cast-iron style electric stove
- Optiflame® LED low energy flame effect
- 2kW fan heater with choice of two heat settings
- Finished in matt white
- Remote control
- Compatible with hearth pad (see page 66)
- Flame effect can be used independently of heat
- Model no. CVL20N



Remote control

Product dimensions please see pages 64-66

Chevalier

A head turner - very much in vogue

- Cast iron-style stove with Optiflame® effect
- Supplied with real coal and log effect
- 2kW fan heater with choice of two heat settings
- Thermostat
- Remote control
- Low running cost LED lighting
- Optiflame® effect can be used independently of heat
- Creamy-white gloss finish
- Compatible with hearth pad HPD001 (see page 66)
- Model no. CHV20N



Remote control

Product dimensions please see pages 64-66



Optiflame

Optiflame



With log effect¹

Stockbridge

Perfect for town or country

- Authentic cast-iron style stove with glossy black finish
- Choice of Optiflame® with real coal and Optiflame® log effect in one model. Comes fitted with log fuel effect – just change to coal as appropriate
- 2kW fan heater with choice of two heat settings
- Thermostat
- Remote control
- Flame effect can be used independently of heat source
- Low running cost LED lighting
- Compatible with hearth pad HPD001 (see page 66)
- Model no. SKG20BLN



With coals



Remote control

Product dimensions please see pages 64-66

¹Plinth shown is not supplied.

Brayford

Freestanding and compact for all the family

- Compact stove designed to fit in or on a standard fireplace and hearth
- Optiflame® log effect
- 2kW fan heater with choice of two heat settings
- Black cast effect finish
- Remote control
- Low running cost LED lighting
- Compatible with hearth pad HPD001 (see page 66)
- Flame effect can be used independently of heat source
- Model no. BFD20N



Remote control

Product dimensions please see pages 64-66



Optiflame



Springborne

Compact – ideal for smaller spaces

- Compact stove designed to fit in or on a standard fireplace and hearth
- Optiflame® coal effect with real coal
- Opening doors
- 2kW fan heater with choice of two heat settings
- Black cast effect finish
- Remote control
- Low running cost LED lighting
- Compatible with hearth pad HPD001 (see page 66)
- Flame effect can be used independently of heat source
- Model no. SBN20N

Optiflame



Tango

It only takes one for a look this good

- Traditional 'cast iron' style stove in matt black finish
- Unique Optiflame® coal effect with real coals
- 2kW fan heater with choice of two heat settings
- Remote control
- Flame effect can be used independently of heat source
- Low running cost LED lighting
- Compatible with hearth pad HPD001 (see page 66)
- Model no. TNG20R

Product dimensions please see pages 64-66

Chadwick

All in one elegance in an instant

- Freestanding suite with integral Optiflame® fire
- Stone effect surround and dark grey fire
- 1.2kW fan heater
- Flame effect can be used independently of heat
- Optiflame® log effect
- Low running cost LED lighting
- Model no. CDW12WWN

Optiflame



Optiflame



Covelo

Make a statement with this bold suite

- Free-standing suite with integral Optiflame® log fire
- Surround has gloss black finish
- 1.5kW fan heater with choice of 2 heat settings
- Flame can be used independently of heat
- Concealed controls
- Remote control
- Ready assembled
- Model no. COV20

Subject to availability



Remote control



See page 4 for details

Product dimensions please see pages 64-66

Figaro

A marriage of style and space-saving

- Compact, free-standing suite with integral Optiflame® log fire
- Surround has a light oak effect finish with black back panel
- 1.5kW fan heater with choice of heat settings
- Flame can be used independently of heat
- Remote control
- Concealed controls
- Ready assembled
- Low running cost LED lighting
- Model no. FGA15



Remote control

Product dimensions please see pages 64-66



See page 4 for details



Optiflame

Optiflame



Mini-Mozart

Fits in anywhere, even studios and small spaces

- Compact, free-standing suite with integral Optiflame® log fire
- Surround has stone-effect finish with dark marble effect back panel
- 1.5kW fan heater with choice of heat settings
- Flame can be used independently of heat
- Concealed controls
- Remote control
- Ready assembled
- Low running cost LED lighting
- Model no. MMZ15



Remote control



See page 4 for details

Product dimensions please see pages 64-66

Mozart Cream

Dare to be different, all in one suite

- Free-standing suite with integral Optiflame® log fire
- Surround has stone-effect finish with black marble-effect back panel
- 2kW fan heater with choice of two heat settings
- Concealed controls
- Flame effect can be used independently of heat
- Low running cost LED lighting
- Model no. MZT20

Optiflame



Optiflame



Mozart Black

Play it cool with the complete suite

- Free-standing suite with integral Optiflame® log fire
- Surround is gloss black with black marble effect back panel and black fire
- 2kW fan heater with choice of two heat settings
- Concealed controls
- Flame effect can be used independently of heat
- Low running cost LED lighting
- Model no. MZT20BL

Bach & Bizet

Flexibility in a frame – wall mount or inset

- Wall fire designed for use either wall-mounted or recessed
- Optiflame log effect
- 2kW fan heater with choice of two heat settings
- Flame effect can be used independently of heat
- Thermostat
- Remote control
- Bizet – finished in silver grey with a reversible frame finished in gloss black and gloss white
- Bach – Dark grey frame with black front
- Opening requirements for recessed installation: H580mm W580mm D130mm
- Low running cost LED lighting
- Model nos. BZT20N (Bizet), BCH20 (Bach)



Remote control

Product dimensions please see pages 64-66



Optiflame



Belford

Offering comfort, ambience and style

- Wall fire with sleek design with large 1.2m width viewing area
- Optiflame LED flame effect
- Silvered glass pieces ember bed
- Flame effect can be used independently of heat
- 1.2kW heat output
- Can be recessed into wall
- Gloss black frame
- Remote control
- Model no. BLF50-UK



Remote control



See page 4 for details

Product dimensions please see pages 64-66

SP16

Extra wide fire for a big impression

- A contemporary flame effect fire designed for wall mounting
- Chassis can also be inset so that only the frame protrudes
- Remote control
- 2kW fan heater with choice of two heat settings
- Optiflame® effect with Optiglo® glowing log bed
- Black finish
- Concealed fan heater
- Flame effect can be used independently of heat
- Opening requirements for recessed installation:
H520mm W1143mm D146mm
- Low running cost LED lighting
- Model no. SP16



Remote control

Product dimensions please see pages 64-66

Optiflame




Opti-V



PGF10



PGF20

PGF10 & PGF20

The most unbelievable electric flame effect yet

Opti-V® utilises the latest High Definition TV technology to create flames and sparks for a virtual fireplace experience like no other. The unique and patent protected design combines realistic flickering flames with three dimensional LED logs that sporadically spark! With the addition of an audio element of crackling logs, the illusion of a real fire is complete.

A great centrepiece of any lounge

- Fully built-in electric wall fire with Opti-V® flame effect
- Flame effect is shown via 22 inch, full colour, High Definition LCD television screens
- The screen fuel bed and lighting is run by low energy LEDs
- Remote control with sound effect volume control

PGF10:

- Available with optional graphite effect frame (shown)
- Viewing aperture: H240 x W690mm
- Dimensions: H445 x W736 x D320mm

PGF20:

- Viewing aperture: H240 x W1310mm
- Dimensions: H445 x W1356 x D320mm



See page 4 for details

NOTE: These fires do not include a heater

Sunningdale

A truly authentic looking stove

- Cast-iron style stove
- Opti-V 3D effect electric fire
- Flame effect is shown via HD TV screen
- LED fuel bed and lighting
- 2kW fan heater with a choice of 2 heat settings
- Electronic controls
- Crackling logs sound effects with adjustable volume
- Thermostat and remote control
- Model No. SNG20



Remote control



See page 4 for details



Opti-V




Opti-V



Cellini



Volterra

Cellini & Volterra

Making a bold statement

- Free-standing Opti-V electric fire
- Striking design: lattice frame for a dramatic statement
- LCD television screen: High Definition
- Fuel bed and lighting: low energy LEDs
- Total electricity consumption: 35W
- Remote control with sound effect volume control

Cellini (CLL-OV)

- Shown with legs, but may be displayed without
- Dimensions: with legs H705mm, without legs H580mm x W420mm x D360mm

Volterra (VLT-OV)

- Dimensions: H520mm x W625mm x D360mm

NOTE: These fires do not include a heater



Remote control

PART OF OUR
Display & Demonstrate
COLLECTION

See page 4 for details

Surrounds

Round off your fire in style

Fully assembled MDF surround, back panel and hearth, purpose designed for use with Dimplex electric fires

No structural alterations needed as surrounds are freestanding – all you need is a flat wall and a power point for the fire

For use with electric fires only



Holwell

- Surround finished in maple effect with textured black back panel and hearth
- Compatible with all of the current Dimplex 16"/18" inset fires
- Model no. GDS1A



Rockbourne

- Natural stone effect surround
- Compatible with all of the current Dimplex 16"/18" inset fires
- Model no. GDS3



Ashmore

- Surround finished in mahogany effect with textured cream back panel and hearth
- Compatible with all of the current Dimplex 16"/18" inset fires
- Model no. GDS1

Radiant bar fires



Lymington

- A free-standing fire with unique Optiflame® coal effect
- 2kW radiant heat, plus 0.5kW convected heat
- Flame effect can be used independently of heat source
- 'Economiser' control
- Finished in matt black with brass effect trim
- Model no. LYM28E



Theme

- Attractive cherry finish surround
- Flickering flame coal effect
- 2kW of radiant heat with 'Economiser' control
- Effect can be used independently of heat source
- 0.8kW convector with variable thermostat for background warmth

Product dimensions please see pages 64-66
Plinths/hearths not supplied



Yeominster

- Traditional freestanding fire
- Flickering log effect
- 2kW radiant heat with 1kW/2kW heat selection
- Effect can be used independently of heat source
- Model no. YEO20



Optima

- Freestanding or wall-mounted
- Attractive cherry finish surround
- 2kW of radiant heat with 'Economiser' control
- Effect can be used independently of heat source
- Flickering flame coal effect
- Choice of heat settings
- Model no. 314CHE



Lyndhurst

- Stylish black canopy
- Flickering flame log effect
- 2kW of radiant heat with 'Economiser' control
- Effect can be used independently of heat source
- 0.5kW of thermostatically controlled convected heat
- Choice of heat settings
- Model no. 430RCE/B

Technical Specification

	Opti-myst effect	Optiflame effect	Flicker effect	Total output in kW	Power consumption on effect only in Watts	Height (mm)	Width (mm)	Total depth (mm)	Depth of inset (mm) (if applicable)	Page number
Adagio ADG20, ADG20BR, ADG20BN		✓		2.0	9	635	516	185	55	22
Alameda ALM20	✓			2.0	212	895	1075	300	~	17
Aspen ASB20		✓		2.0	9	617	520	162	55	23
Auberry AUB20	✓			2.0	212	620	480	300	~	10
Bach BCH20		✓		2.0	9	600	696	183	~	56
Belford BLF50UK		✓		1.2	15	495	1280	178	~	57
Bizet BZT20N		✓		2.0	9	621	750	183	~	56
Brayford BFD20N		✓		2.0	10	545	440	310	N/A	48
Burgate BGA20	✓			2.0	212	670	620	390	N/A	13
Castillo CST20		✓		2.0	9	665	603	226	N/A	40
Chadwick CDW12WWN		✓		1.2	9	915	934	297	N/A	50
Cheriton CHT20		✓		2.0	9	682	639	194	N/A	41
Chevalier CHV20N		✓		2.0	10	640	620	390	N/A	46
Club CLB20		✓		2.0	10	597	510	340	N/A	44
Courchevel CVL20N		✓		2.0	10	597	510	340	N/A	45
Covelo COV20		✓		1.5	130	907	890	260	~	51
Danesbury DAN20AB, DAN20BL, DAN20BR, DAN20CH-LED		✓		2.0	9	620	518	170	55	24-25
Danville DNV20AB, DNV20BL, DNV20BR, DNV20CH	✓			2.0	212	620	520	231	65	8-9
Delius DLS20, DLS20BN-LED		✓		2.0	9	617	520	180	55	26
Detroit DTT20		✓		2.0	9	665	603	226	N/A	42
Elda ELD20		✓		2.0	9	617	514	162	55	27
Exbury EBY15, EBY15CH, EBY15AB-LED		✓		1.0	9	583	519	204	70	28
Figaro FGA15		✓		1.5	9	750	700	260	N/A	52
Freeport FPT20, FPT20BN		✓		2.0	9	617	520	180	55	29
Horton HTN20BL, HTN20BR, HTN20CH		✓		2.0	9	621	521	170	55	30-31
Loxley LXY15		✓		1.0	9	583	519	204	70	38
Lyndhurst 430RCE/B			✓	2.5	120	680	710	225	N/A	63

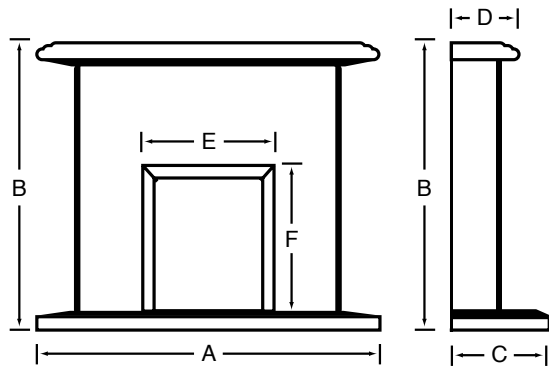
Technical Specification

	Opti-myst effect	Optiflame effect	Flicker effect	Total output in kW	Power consumption on effect only in Watts	Height (mm)	Width (mm)	Total depth (mm)	Depth of inset (mm) (if applicable)	Page number
Meribel MRB20	✓			2.0	212	670	620	390	N/A	12
Moorefield MFD20	✓			2.0	212	870	920	315	N/A	18
Mini Mozart MMZ15		✓		1.5	130	750	700	260	N/A	53
Montclair MTC20		✓		2.0	9	615	465	150	75	32
Mozart MZT20, MZT20BL		✓		2.0	9	857	920	375	N/A	54-55
Oakhurst OKT20	✓			2.0	212	620	480	300	N/A	11
Optima 314CHE			✓	2.0	120	540	775	215	N/A	63
Piermont PMN20	✓			2.0	212	650	540	401	N/A	14
Redway RDY20	✓			2.0	212	690	760	181	~	20
Rockport RKT20		✓		2.0	9	635	520	185	55	33
Sacramento SCR20	✓			2.0	212	620	520	220	65	7
Silverton SVT20	✓			-	60	305	684	355	~	15
SP16		✓		2.0	14	525	1200	182	~	58
Springborne SBN20N		✓		2.0	10	545	440	310	N/A	49
Stamford STM20, STM20CH		✓		2.0	9	615	465	195	75	34-35
Stockbridge SKG20BLN		✓		2.0	10	640	620	390	N/A	47
Sunningdale SNG20			Opti-V	2.0	25	660	630	440	N/A	60
Tahoe TAH20	✓			2.0	212	695	900	170	~	19
Tango TNG20R		✓		2.0	10	545	440	310	N/A	49
Theme 316CHE			✓	2.8	130	610	775	265	N/A	63
Westbrook WBK20	✓			-	212	350	450	270	N/A	16
Whitmore WMR20	✓			2.0	212	620	520	220	65	6
Wynford WYN20AB, WYN20BR, WYN20CH		✓		2.0	9	620	520	155	55	36-37
X1 X1B, X1S		✓		1.0	9	582	519	198	70	39
Yeominster YEO20			✓	2.0	60	395	631	214	N/A	63
Zamora ZAM20		✓		2.0	9	665	603	226	N/A	43

NOTES

~ See relevant product page for opening requirements All dimensions are shown in millimetres. Please allow +/- 5mm tolerance.

Surrounds

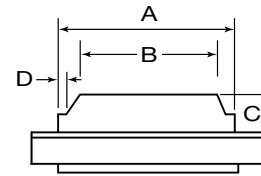


Surrounds	Model No.	Finish of surround	Finish of back panel	A	B	C	D	E	F	Weight of Surround
Holwell	GDS1A	Maple effect	Black back panel & hearth	1200	1113	395	280	420	580	43kg
Ashmore	GDS1	Mahogany effect	Cream back panel & hearth	1200	1113	395	280	420	580	43kg
Rockbourne	GDS3	Natural stone effect	Natural stone effect back panel & hearth	1200	1085	350	253	420	580	48kg

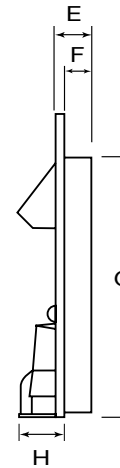
All dimensions in mm

Detailed dimensions – Optiflame® and Opti-myst® electric inset fires

PLAN VIEW – INSET FIRES



PROFILE VIEW – INSET FIRES



	A	B	C	D	E	F	G	H
Adagio	390	344	55	10	95	55	555	130
Ashington	390	344	55	10	80	55	555	116
Aspen	390	344	55	10	75	55	555	107
Chalbury	390	344	55	10	80	55	555	110
Danesbury	390	344	55	10	70	55	555	115
Danville	397	360	65	N/A	128	65	536	166
Delius	390	344	55	10	75	55	555	125
Elda	390	344	55	10	70	55	555	107
Exbury	390	338	70	26	89	70	544	134
Freeport	390	344	55	10	75	55	555	125
Horton	390	344	55	10	75	55	555	115
Loxley	390	338	70	26	89	70	544	134
Montclair	364	364	70	N/A	84	75	565	80
Rockport	390	344	55	10	95	55	555	130
Sacramento	397	360	65	N/A	128	65	536	166
Stamford	364	364	70	N/A	84	75	565	107
Whitmore	397	360	65	N/A	128	65	536	166
Wynford	390	344	55	10	70	55	555	100
X1	390	338	70	26	83	70	544	128

All dimensions are shown in millimetres.
Please allow +/- 5mm tolerance.

Accessories

ALTERNATIVE FUEL BEDS

- OMLLIN - Large logs for Opti-myst® inset fires (Danville, Sacramento, Whitmore)
- OMWFPB - Pebble bed for Opti-myst® wall fires (Tahoe, Redway, Burbank)



Large log fuel bed for inset Opti-myst® fires.

SPACER KITS

- OSP002 – to fit Danville, Sacramento and Whitmore.
- SPA-OF1 – to fit Montclair and Stamford.

HEARTH PAD

- Suitable for electric fires and electric stoves ONLY
- Slate effect finish (HPD001)
- Approximate dimensions: 15mm (H) 800mm (W) 380mm (D)



HPD001 shown on page 41 and page 49

STOVE PIPE

- Stove pipe kit compatible with Club CLB20R-LED, Springborne SBN20R, Tango TNG20R, Brayford BFD20R
- 'Slot together' construction allows for two different height/depth options#
- Part no. STP001





The solid fuel stove collection

Multi-fuel stoves from a name you can trust.

Multi-fuel stoves provide an unrivalled combination of characteristics; as well as being highly efficient heating appliances they also offer the mesmerising appearance of real flames and use, when burning wood, a sustainable, carbon-neutral source of fuel.

There are significant environmental benefits to using wood as a fuel for heating - wood is considered carbon-neutral because burning logs release into the atmosphere only the carbon that the tree absorbed through photosynthesis while it was growing. Wood is a renewable resource and is often available locally, reducing the need for transportation.

The quality and type of wood burnt greatly affects the performance of a stove; the lower the moisture content of the wood, the higher the potential heat output and the lower the emissions and amount of soot produced. Wood fuel should be untreated hardwood logs that have

been cut, split and seasoned for at least twelve months (left to dry somewhere undercover but with free air circulation) or kiln-dried so that the moisture content is less than 20%. Some of the best species of timber for burning are ash and beech. Softwood species, particularly pine and fir, make poor firewood and due to their high resin content quickly create tar-like deposits in the chimney, necessitating frequent sweeping.

The Dimplex range of stoves includes five models that are Defra-exempted for wood-burning in UK Smoke Control Areas. An exempt appliance can be used to burn wood in designated Smoke Control Areas in which wood-burning would otherwise be illegal. Locations of Smoke Control Areas can be found on www.uksmokecontrolareas.co.uk

Many of the stoves in the Dimplex range are multi-fuel appliances which means that in addition to burning

wood, they can also burn most manufactured smokeless fuels to increase flexibility in fuel supply and in most models, provide increased heat output.

All stove installations should be carried out by suitably qualified individuals and comply with relevant Building Regulations. Dimplex strongly recommends using a HETAS-registered installer; you can find details of your local installers on www.hetas.co.uk or by phoning 0845 634 5626. Many of the fireplace retailers who stock Dimplex stoves have their own HETAS-qualified installation teams and they can advise you on flue requirements and product suitability before purchase.

*10 year warranty on all new Dimplex solid fuel stoves. Terms, conditions and exclusions apply.

See www.dimplex.co.uk/stoves for full details.

After Sales Service

If you require after sales service please visit www.dimplex.co.uk/support

CE Mark

Our products carry the CE mark complying with European safety standards and the European Standard for electro magnetic compatibility.

British Electrotechnical Approvals Board BEAB Approved

The mark of the British Electrotechnical Approvals Board signifies that the appliance bearing it has been produced to the stringent safety requirements for domestic electrical appliances as laid down in BSEN60335.

All Dimplex electric fires are approved by BEAB or awaiting approval at time of printing.

Specifications

Dimplex policy is one of continuous improvement; the Company therefore reserves the right to alter specifications without notice. Although every care has been taken in the reproduction of product finishes in this brochure, the colour photographs and the flame effects should be taken only as a guide. The information contained in this brochure is correct at the time of printing. You are advised to consult your dealer before purchasing. For a list of stockists please visit www.dimplex.co.uk/stockist

The Dimplex Range

Dimplex offers the widest range of electric space and water heating products in the world – nearly 700 – to meet almost any heating need. In addition to this publication, we have a wide range of brochures for both domestic and commercial applications. Please visit our website for more information.

Dimplex Website

Our website is full of information which may be useful to you including:

- Details of your local stockists – including where you can see a particular fire on display
- Videos of the Opti-myst and Optiflame effects
- Installation and operating instructions
- How to buy spare parts
- Information on our range of solid fuel fires

Visit www.dimplex.co.uk/fires today!

Selected surrounds featured in this brochure were supplied by the companies listed below. Any surround not listed is no longer available. Please note that some of the surround designs listed may have been discontinued by their manufacturers.

Aspen **ASP20**
Danesbury Black **DAN20BL**
Delius **DLS20**

Allwood Fireplaces Ltd, Units 3
 Spark Business Park, Hamilton Road,
 Stockport, Cheshire SK1 2AE
 Telephone: 0161 300 4363

Danesbury Antique Brass **DAN20AB**
X1 Black **X1B**
Meribel **MRB20**

OER, Fireplace Works, Normacot Road
 Longton, Stoke on Trent, Staffordshire
 ST3 1PN
 Telephone: 01782 319350
www.oerfireplaces.com

Horton **HTN20BR**
Horton **HTN20BL**
Wynford **WYN20CH**
Wynford **WYN20BR**

Be Modern Group, Western Approach
 South Shields, Tyne & Wear NE33 5QZ
 Telephone: 0191 455 3571



Opti-V
brochure



Domestic heating
brochure



Quantum®
brochure



Q-Rad electric
radiator brochure



Towel rail
brochure



Renewable heat
for homes



SmartRad®
brochure



Hot water
cylinders



Commercial
brochure



Solid fuel stove
brochure

Dimplex

© Dimplex
 All rights reserved. Material contained in this publication
 may not be reproduced in whole or in part, without prior
 permission in writing of Dimplex.

Dimplex is a Registered Trade Mark in the United Kingdom.
 All Optiflame fires are protected by patent nos GB2230335, AU621713,
 USA4965707, IE63651 and NZ232435.
 Opti-myst and Opti-V effects are protected by multiple worldwide patents.

All the products shown in this brochure are protected by intellectual property rights
 owned by Dimplex or members of the Glen Dimplex Group on an international basis.
 The Glen Dimplex Group of Companies will actively protect these rights.