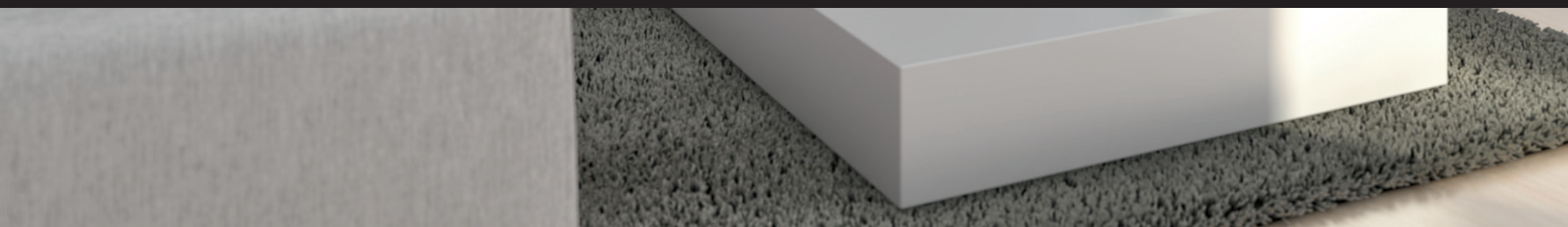




# Installation and Operating Manual

ebios fire - Tower





## FOREWORD / QUALITY PHILOSOPHY

You have chosen a SPARTHERM ebios-fire. Thank you for your confidence in our technology.

In a world characterised by excess and mass production, the good name of our firm is inextricably linked to the credo of our owner, Gerhard Manfred Rokossa:

“High technical quality combined with modern design and on-site customer service carried out to the latter’s full satisfaction, in the expectation that the customer will then recommend us to others.”

Together with our partners at specialist dealerships, we offer first-class products that stir the emotions, evoking feelings of security and comfort. However, to ensure that we achieve this, we recommend that you read the operating manual carefully to quickly familiarise yourself with your decorative fire in all its details.

In addition to information on how to use it, this manual also contains important maintenance and operating instructions for your safety and to ensure your ebios-fire retains its value, as well as useful tips.

If you have any further questions, please contact your dealer.  
A beautiful fire at all times.

Your SPARTHERM Team  
G.M. Rokossa

# CONTENTS

1. General Information	4	5. Troubleshooting and audible signals	14
1.1 Scope of Supply	5	5.1 Operating signals and fault signals (audible signals)	14
2. Installation Instructions	5	5.2 Unit and glass soot up heavily, quickly and unevenly	15
2.1 Functional description	5	5.3 Unpleasant smell	15
2.2 Technical data	6	5.4 Flame pattern changes	15
2.3 General Requirements for Installation	6	5.5 Burner fails to light	15
2.4 Installation location	7	5.6 The burner goes out suddenly	15
2.5 Fire precautions	7	5.7 Spilt ethanol catches fire	15
2.6 Combustion Air Supply	8	6. General warranty terms and conditions	16
3. Operating Instructions	8	6.1 Scope of Application	16
3.1 General Operating Information	8	6.2 General inform	16
3.2 Fuel	9	6.3 Warranty period	16
3.3 Using the unit for the first time	10	6.4 Requirement of effectiveness for the warranty	16
3.3.1 Assembly and installation	10	6.5 Warranty exclusions	16
3.3.2 Starting the ebios-fire	11	6.6 Defect remediation / repairs	17
3.3.3 Checks when using the fire for the first time	12	6.7 Extension of warranty	17
3.4 Refuelling/changing the canister	12	6.8 Spare parts	17
3.5 Shutting Down the Unit	13	6.9 Liability	17
4. Maintenance, cleaning and care	13	6.10 Note	17
		7. Dimensioned drawings	18

## IMPORTANT INFORMATION

As per the German Equipment and Product Safety Act (GPSG) and our statutory duty to notify, we would like to inform you about heating with this product.

The calorific value of 96% ethanol equates to approx. 29,600 kJ / kg. With fuel consumption of 1,6 l/h the heat released is approx. 10,800 W.

However, the decorative fireplace requires a plentiful supply of fresh air when operated as otherwise the amount of carbon dioxide created exceeds the permitted concentration in the room air.

As a rule, the fresh air supplied is cooler than the room air to be heated up which results in a loss of energy. The effective heat output of a Bio ebios-fire is thus minimal and, as such, decorative fireplaces which use biofuel are not sources of heat.

Rather these are merely decorative and are not intended for heating or continuous operation. Nevertheless, it should be taken into account that heat is generated as a by-product of the combustion process. This can cause increased heating in the room where the fireplace is installed. Read the safety instructions and measures for rear ventilation carefully.

**Please pay attention to these operating instructions.**

## 1. GENERAL INFORMATION

Young children, the elderly and the frail: As with all naked flames, a guard should be used to protect the above. **Risk of burns!** Never leave such individuals unsupervised near an ebios-fire when it is lit or when the fire has just gone out. ebios-fire must always be operated under supervision!

Your ebios-fire should be installed and operated in accordance with the relevant national and local regulations, in particular the fire safety regulations of the particular federal state or the fire protection regulations of the VKF (Switzerland).

Ensure that your ebios-fire is set up on a stable base and select an installation location where the burner will not be exposed to movement due to impacts, etc., when in operation.

Please note that you should never top up with fuel manually by pouring it into the fire tray by hand. Fuel is always supplied to the fire directly from the canister, via the integral pump!

Only persons familiar with the appliance and the safety instructions and who have been trained how to operate the fire should be allowed to change the fuel canister.

**The ebios-fire is not a heater. It is a decorative fire. Sufficient ventilation must be provided. The appliance switches off automatically after 8 hours for safety reasons.**

Bioethanol is a hazardous substance and the quantities you may store are subject to regulations. It is essential to comply with the regulations that apply at the place of use.

For homes in Germany the general rule is:

Storage in the basement: not more than 20 litres

Storage in the living-room: not more than 5 litres

(Source: Hazardous Substances Information Data Sheet published by the Association of the Raw Materials and Chemical Industry; also Technical Rules for Flammable Fluids 20)

## 1.1 SCOPE OF SUPPLY

ebios-fire with the following features:

- Tower housing (base) with stainless steel fire tray, top glass panel, three glass supports and glass tubes
- 2 x canister closing systems with hose connection
- Radio remote control
- Charger for integral battery
- Installation and Operating Manual

## 2. INSTALLATION INSTRUCTIONS

Please carefully read and note the following instructions. Remember that bioethanol is a liquid fuel that can generate high temperatures when burned and which is itself highly flammable. You should also bear in mind that the brightness of the flame can dim to a level at which the flame is no longer clearly visible. Please make children and other people in the home aware of this. Failing to follow the installation and operating instructions can result in dangerous situations and the possibility of explosive ignition of the fuel.

Correct installation and proper handling are essential to ensure safe, reliable operation of your fire.

The unit is not self-supporting. It must be installed as per the instructions, ensuring it is horizontal. Never move the burner when the unit is operating. The unit must be installed in such a way that it cannot be knocked over or tilted.

## 2.1 FUNCTIONAL DESCRIPTION

Once the operating voltage is applied to the burner (via battery or charger), pressing the switch behind the flap door in the base will switch it to operational mode. Ignition is then started via the remote control. During this phase the pump operates continuously, whereas ignition takes place at intervals. This fills the fire tray with fuel, which then ignites.

Ignition stops automatically as soon as the ethanol level is sufficient for operation. The integral pumps feed fuel into the tray until the level reaches the level sensor. At that point the pumps switch off.

The level falls as the fuel burns. When the fuel is no longer in contact with the level sensor, the pumps start up again and continue pumping until the level reaches the sensor again.

Only one pump is in operation at any one time. That helps keep the power consumption low.

The burner is supplied with two sets of fuel lines for operation with two canisters. First of all, pump 1 empties canister 1. Then the system switches over to pump 2 and canister 2. Always make sure the burner is switched off before exchanging an empty canister for a full one.

It is also possible to operate the unit with just one canister. This can be done by operating the burner with only one set of fuel lines and one canister (detach the filling adapter and quick-action coupling from the line).

If the canister(s) is/are empty, the flame will go out and the burner will switch off. Additionally an audible fault signal will be heard.

The pumps stop when the burner switches off. The fuel still in the fire tray will burn off in about 15 minutes and the fire will go out.

## 2.2 TECHNICAL DATA

Technical data	Tower
Type of fuel	Bio-Ethanol (96% ethanol content)
Fuel consumption	1,6 l/h
Combustion output	10,8 kW
Minimum room volume*	
Air change values 0,2 h <sup>-1</sup> **	1338 m <sup>3</sup>
Air change values 0,5 h <sup>-1</sup> **	534 m <sup>3</sup>
Air change values 1 h <sup>-1</sup> **	269 m <sup>3</sup>
Permissible atmospheric humidity	max. 60 % rel.
Permissible ambient temperature	12 – 35 °C
Permissible mains voltage for charger	100 – 240 VAC
Running time with battery	ca. 20 Stunden
Fuel supply	2 x 5 Liter
Weight	64 kg

\* At a maximum burning time of 5 hours. This information refers exclusively to the combustion air requirement for the ebios fireplace. If air is also consumed by other sources in the room such appliances must be considered separately.

\*\* The following air change values are quoted as a rough guide <sup>1)</sup>:

Air change (l/h)	Note
0...0,5	Windows and doors closed
0,3...1,5	Window tilted, no shutters
5...10	Window half open

<sup>1)</sup> Recknagel, Sprenger, Schrameck: Heizung+Klimatechnik (Heating and Climatic Engineering), pub. Oldenbourg Verlag

## 2.3 GENERAL REQUIREMENTS FOR INSTALLATION

All relevant national and European standards and local regulations (storage and fire precautions, etc.) must be noted and observed when installing and operating the ebios-fire. The following is a list of the relevant regulations (without any claim to completeness). They refer only to operation in Germany. In other countries the regulations that apply there must be observed.

BetrSichV	Industrial Safety and Health Ordinance
Vbf	Technical Rules for Flammable Fluids
BsV	The fire protection requirements of the particular federal state
LBO	State building regulations
GefStoffV	Hazardous Substances Ordinance

The ebios-fire should only be installed in rooms and at locations where the position, structural conditions and type of use will not create any hazards. The floor area of the room where it is installed must be of such a type and size that the ebios-fire can be correctly operated in accordance with the regulations.

Only approved and sufficiently strong handling aids should be used to transport your ebios-fire.

There must be no fuel in the fire tray during transport.

**DAMAGE IN TRANSIT** Please contact your supplier without delay. Protect the cover and visible parts of your fire from dirt and damage during installation and transport.

We recommend that you keep a suitable fire extinguisher for liquid fires handy (fire class B).

The ebios-fire Tower must be levelled horizontally and secured so that it cannot tip.

## 2.4 INSTALLATION LOCATION

When choosing the installation location for your ebios-fire please ensure the unit is not directly exposed to major heat sources such as radiators, stoves, etc. and that it is not installed in a room where high temperatures occur (e.g. a sauna).

Your ebios-fire must not be installed:

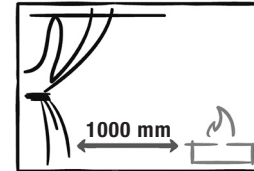
- In stairwells and landings, except in residential buildings with no more than two flats
- In corridors accessible to the public
- In garages
- In rooms where highly flammable or explosive substances or mixtures are processed, stored or manufactured in such quantities that ignition or explosion would be hazardous.
- In poorly ventilated spaces
- In unsupervised areas accessible to the public
- In areas not sufficiently protected from cross-draughts
- On top (uninstalled) of tables, furniture, up against a wall, etc.
- Outdoors without a protection against weather and high humidity

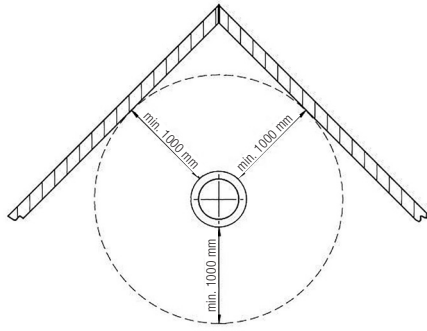
When setting up the ethanol canisters (not in the Tower) it is important to ensure that they cannot tip over. In addition, the design of the location must ensure that it does not allow flammable gases to build up, it will contain any escaping ethanol and it will prevent fire from spreading.

The floor on which the unit is placed must have sufficient load-bearing capacity. If not, appropriate measures should be taken, e.g. using a board to spread the load, in order to achieve the requisite safe loading capacity.

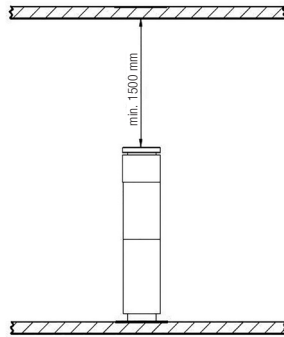
## 2.5 FIRE PRECAUTIONS

Do not place any flammable objects, such as decorations, clothing, etc., in the radiant area. A minimum distance of 1,000 mm must be maintained from flammable building components, furniture, decorations or curtains at the sides to protect them properly from heat. The space above the fire must be clear of all objects, all the way up to the ceiling (ceiling clearance 1,500 mm)!





Distance at sides



Distance from ceiling

## 2.6 COMBUSTION AIR SUPPLY

Your ebios-fire draws the air it needs to burn from the room in which it is installed (non-room air sealed). You must ensure that the room where the fire is installed has an adequate supply of fresh air. If the windows and

doors are sealed (for example, for energy-saving reasons) it may be the case that an adequate fresh air supply cannot be guaranteed. That is why it is essential that you note the required air change rate and comply with the room sizes indicated. Otherwise, your well-being (headaches, poor concentration) and, possibly, your safety may be compromised or the fire may not burn properly. For protection from these hazards you can purchase devices in specialist shops similar to a smoke alarm that warn you when excessive carbon dioxide concentrations occur. Air quality indicators that analyse carbon dioxide concentration as well as temperature are also advisable.

Open a window to ensure an adequate supply of fresh air.

## 3. OPERATING INSTRUCTIONS

Read these Installation and Operating Instructions through carefully before installing or operating your ebios-fire.

Please note all fire precautions and dangerous goods provisions!

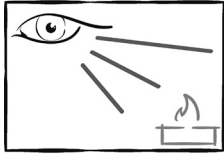
### 3.1 GENERAL OPERATING INFORMATION

- Young children, the elderly and the frail: As with all naked flames, a guard (available from specialist dealers as an accessory) should be used to protect the above. **Risk of burns!** Never leave such individuals unsupervised near an ebios-fire when it is lit or when the fire has just gone out. Please make them aware of this hazard
- Never place flammable objects on any part of the ebios-fire Tower. Never dry washing on the unit. Racks for drying washing should always be placed outside the radiant area of the fire (see 2.5 Fire Precautions). **Fire hazard**



- The burning process releases thermal energy which heats up the burner, the housing surfaces and the glass windows. Do not touch!

#### Risk of burns



- Never leave the fire unsupervised when lit!
- We recommend that you open a window whenever the fire is in use.
- Operating more than one decorative ethanol fireplace at the same time is permissible only if the fuel throughput of all the units does not exceed the permitted value according to local regulations. Adequate ventilation must also be ensured. For more information please refer to the table under Technical Data 2.2.
- Modifications to ebios-fire units are not permissible.
- This is a decorative fireplace for home use which is not designed for heating and is not intended for continuous operation. It should nevertheless be noted that heat is produced as a by-product of combustion. That can increase the heat in the room where the fire is used.
- If the burner is not going to be used for some time we recommend that you close the ethanol canister by screwing on the lid and remove the mains adaptor from the socket outlet.
- NEVER fill the burner by pouring in fuel at the side or on top - **DANGER TO LIFE!**



- Handling fuel near the unit when lit or while still hot is dangerous and must be avoided. Please remember that a static charge is enough to create a spark which can ignite the fuel.
- Any accidental spills of ethanol should be cleared up straight away – before lighting the burner
- The burner is suitable for indoor use only. It must not be used out of doors or in a draughty place.
- The burner may only be operated within an ambient temperature range of +13°C to +35°C.
- High atmospheric humidity and condensation forming on the burner may interfere with its operation. In that case, switch the unit off if lit, or do not use it.
- You should bear in mind that the brightness of the flame can dim to a level at which the flame is no longer clearly visible. Please make children and other people in the home aware of this.
- Do not smoke when handling fuel or the ebios-fire.

**Failure to follow these basic rules can result in uncontrolled ignition and even an explosion!**

### 3.2 FUEL

The fuel used is bioethanol (chemical formula  $C_2H_6O$ ) with a 96% ethanol content. You can purchase the fuel from your specialist dealer. The fuel is a hazardous substance according to ADR: Class 3 PG II, UN 1170.

Never use any other type of fuel, such as petrol, spirit or flammable fluids. Do not mix fuels together or mix fuel with other substances. The burners must only be operated with the fuel that we specify. Otherwise, the warranty will be voided and operating the unit may be unsafe or dangerous.

Ethanol is a highly flammable fluid which must be stored in a tightly closed container in a cool place, protected from light and kept away from sources of ignition. Please remember that a static charge can create a spark. It is permissible to store up to 5 litres in the living-room and up to 20 litres in the basement\*. Keep bioethanol out of the reach of children.

Please note that ethanol is intended only for burning - it is not a food product. Keep children safe! If ethanol is swallowed, seek medical treatment without delay. Show the doctor the label from the fuel canister.

\* (Source: Hazardous Substances Information Data Sheet published by the Association of the Raw Materials and Chemical Industry; also Technical Rules for Flammable Fluids 20)

### 3.3 USING THE UNIT FOR THE FIRST TIME

The ebios-fire-Tower is supplied with the fuel feed lines empty, to prevent any leakage or evaporation of ethanol in transit.

#### **Important notes when using the unit for the first time:**

- The cut-outs at the bottom of the burner housing must be left open. They must not be closed off or restricted. These are the air inlets.
- Check all the feed line connections to make sure the hose clip is correctly positioned. It should not be possible to detach the fuel lines from the nozzles with a gentle pull.
- Check all the feed line connections to make sure the hose clip is correctly positioned. It should not be possible to detach the fuel lines from the nozzles with a gentle pull.
- The unit should only be plugged into a socket that has been installed by a qualified electrician.

### 3.3.1 ASSEMBLY AND INSTALLATION

1. First of all, place the glass tubes on the burner, then place the glass panel with the glass holders onto the glass tubes.

2. Now remove the cap from the full ethanol canisters. Then screw the filler adapter to the container (Fig. 2). The end of the hose with the metallic suction grommet should be located on the base of the canister to ensure that the container can be drained as much as possible.



Fig. 2

3. Then connect the small round low-voltage connector on the charger to the appropriate bushing behind the flap. The connector only fits into its intended bushing (Fig. 3).



Fig. 3

4. Only operational with rechargeable battery loaded. The charge status of the accumulator is shown on the indicator on the charger.

- Place the canisters at the requisite locations on the pillar base. Connect the suction hoses to the filler adapters using quick-release couplings. (Fig. 4)



Fig. 4

If you only wish to use one container, pull the quick-release coupling off the unused filler adapter, or attach the filler adapter to an empty canister.

Ensure that the hoses and cable are not jammed or damaged. Check to ensure that the pillar is horizontal.

**Using a spirit level, please only check if the burner is horizontal while the unit is cold.**

### 3.3.2 STARTING THE EBIOS-FIRE

- Press the switch behind the flap door in the base. The unit is now operational. Press this switch at any time to switch the unit off. If the ebios-fire is not going to be used for some time it is advisable to switch it off at this switch, as leaving the unit on stand-by will drain the battery (Fig. 5).
- To do this, press the top button on the radio remote control (Fig. 6/6a). To shut it down, press this button once again.



Fig. 5



Fig. 6



Fig. 6a

**Please note:** if you switch off the appliance while it is still warm, you should wait for about 15 minutes before operating the appliance again. (the red LED lamp flashes on). As soon as the time has elapsed, the appliance can once again be switched on normally.

- The ring on the switch will show red when the unit is in operation. When switched on, the burner will beep twice in acknowledgment before initiating the ignition routine. The ethanol collects in the fire tray and is ignited there when the level is high enough. Wait until pumping stops and the ignition phase comes to an end.
  - Never bend forward with your head directly over the fire tray, especially during ignition!
  - Keep a safe distance of one metre until the fuel has been ignited by the ignition system.
  - The flames can be hard to see at first, particularly when the fuel is cold. The flames grow taller and brighter as the fire tray heats up. Misting up of the glass tubes indicates that the fire is lit. It may take a moment for a flame to spread right across the fire tray.
- The ignition sequence will stop automatically after a certain time. If the fuel has still not lit by then, switch the unit off and wait 10 seconds before switching it on again. Another ignition sequence will then start. This may happen when using the unit for the first time, if it has been unused for some time or if the ethanol temperature is too low (it must be at least 13 °C). If fuel is not pumped into the tray at the second attempt

or if the fuel does not ignite, switch the unit off. Unplug the wall power supply from the socket and contact Customer Service.

#### 5. Flame height adjustment



Fig. 6b



Fig. 6c

The second switch from the top actuates the 2nd flame stage. (bigger flame). The flame pattern is enlarged by increasing the ethanol level. To return the level to the lower stage, actuate the second switch once again. To shut down the appliance, press the top button as explained in Point 2.

#### 6. Safety function

If you shut down the appliance while it is still hot, you should wait for about 15 minutes before switching it back on again. (the red LED lamp flashes on). As soon as the time has elapsed, the appliance can once again be switched on.

**FOR YOUR OWN SAFETY DO NOT ATTEMPT TO LIGHT THE BURNER BY HAND!!!**

### 3.3.3 CHECKS WHEN USING THE FIRE FOR THE FIRST TIME

If you do not have a checklist for this, please answer the following questions:

- Is the unit undamaged?
- Are the accessories complete?
- Have all the specified clearances (safe distances) from combustible materials been observed?
- Are all the fuel lines and connections leak-tight?
- Is the operating indicator working (red ring on switch)?
- Does the ethanol flow into the fire tray?
- Do both pumps work? (The second pump will not switch on until the first canister is empty)?
- Do both electrodes generate sparks?
- Is the flame pattern even?
- Are the temperatures of the surrounding surfaces noncritical? (Measure, if necessary)

### 3.4 REFUELLING/CHANGING THE CANISTER

- Do NOT fill the burner via the fire tray!
- When changing the canister, keep as far away as possible from hot parts and sources of ignition! **DANGER TO LIFE!**

Unscrew the cap from the new, full canister (Fig. 7). Detach the quick-action coupling from the filling adapter (Fig. 8). Pull the filling adapter up out of the empty canister (Fig. 9) and lower the intake hose into the full canister (Fig. 10). Screw the filling adapter on to the top of the full canister (Fig. 11). Re-attach the quick-action coupling to the filling adapter (Fig. 12).



Fig. 7



Fig. 8



Fig. 9

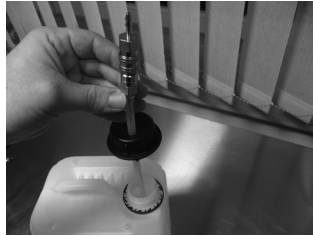


Fig. 10



Fig. 11



Fig. 12

### 3.5 SHUTTING DOWN THE UNIT

If the unit is not going to be used for some time, remove the fuel lines from the canisters before switching off, and then wait for the signal that both canisters are empty. That ensures that the fuel lines have been drained as much as possible. Then seal the canisters with a leakproof cap (not the filling adapters). Remove the quick-action couplings from the filling adapters.

Switch off the unit by pressing the switch behind the flap door. To shut down the unit safely, unplug the power supply from the socket. After a few seconds the red LED indicating that the unit is operating will go out. The remaining ethanol in the fire tray should burn off in about 5 to 10 minutes.

## 4. MAINTENANCE, CLEANING AND CARE

- Allow the unit to cool down for at least 1 hour before cleaning it!
- Inspect and clean the unit once a month.

Various deposits build up in the fire tray over time. These can be loosened with a paintbrush/ordinary brush or a cloth when the unit is cold and then removed from the fire tray with a vacuum cleaner. It is important always to keep the fire tray clean and free from loose particles, as dirt and particles may interfere with the level control system.

Proceed as follows:

- Switch off the unit and allow it to cool down.
- Remove the glass cover panel and the glass tubes.
- Undo the screws on the burner cover and remove the cover and the screws (Fig. 13)



Bild 13

- Carefully lift off the grate containing the granules from the fire tray.
- Use a vacuum cleaner to remove any deposits and loose material from the fire tray.
- If the unit is very dirty, also remove a white stopper from the chamber with the level control system. Vacuum out this chamber as well. Take care not to alter the electrode position in the stopper when replacing it.

Surrounding surfaces and the glass may become stained after burning ethanol for some time. You can remove these residues with a damp cloth or glass cleaner when the unit is cold. Regularly remove dust, as dust particles may burn or char. This can cause soot and dirt in the room where the unit is installed and on the furnishings in the room.

**Advice:** To avoid a permanent milky discolouration of the glass cylinder we recommend to regularly clean it with a standard scouring cream.

After cleaning the unit, carry out the following checks to make sure the unit is in full working order.

- Check that all fuel lines, canisters and connections are leak-tight
- Check condition of fuel lines
- Examine the unit for any signs of damage or warping
- Check that the air inlets are clean and unobstructed
- Check the function of the remote control, ignition system and pumps and the audible alarm

## 5. TROUBLESHOOTING AND AUDIBLE SIGNALS

### 5.1 OPERATING SIGNALS AND FAULT SIGNALS (AUDIBLE SIGNALS)

#### Operating signals:

- 2 x short beeps when switching on = signal that the burner is starting the ignition sequence
- 1 x short beep / 1 x click (repeatedly) = rechargeable battery unloaded
- 2 x short beep = 2nd flame level activated
- 3 x short beep = device was turned off

#### Fault signals:

- 1 x short beep = all tanks are empty
- 1 x long and 1 short beep = level sensor fault (short circuit)
- 1 x long and 3 short beeps = alarm sensor fault (short circuit)
- 1 x long and 5 short beeps = alarm sensor has detected fluid
- 1 x long and 9 short beeps = internal control error

The error messages keep sounding until the appliance has been switched off. In the event of a fault signal always unplug the wall power supply from the socket and contact Customer Service.

If the alarm sensor has detected fluid, check whether the sensor is dirty or bent. The sensor is located next to the lower canister, at the base of the Tower.

## 5.2 UNIT AND GLASS SOOT UP HEAVILY, QUICKLY AND UNEVENLY

If this has not always been the case, please check the following:

- Is the correct fuel being used?
- Is there a draught in the room?
- Is the granulate too tightly packed on top of the burner?

## 5.3 UNPLEASANT SMELL

- Is there fuel in the fire tray although the burner is not lit?
- Was any fuel spilled when refuelling?
- Is there adequate ventilation?
- Are there any particles or other foreign matter in the fire tray?
- Is this smell also evident when using other types of ethanol?

## 5.4 FLAME PATTERN CHANGES

- Is the correct fuel being used?
- Have all the safe distances been observed?
- Is the room where the fire is installed sufficiently ventilated?
- Is the installation location shielded from cross-draughts?
- Is the unit more or less level?
- Does the flame nearly go out and then flare up too high?

## 5.5 BURNER FAILS TO LIGHT

- Is the ring on the switch showing red?
- Is there ethanol in the canisters?
- Can you see from the fuel supply lines that ethanol is being pumped through them? Is there ethanol in the fire tray?
- Is the fire tray clean?

## 5.6 THE BURNER GOES OUT SUDDENLY

- The burner switches off automatically after 8 hours to prevent it being inadvertently left on. (The red ring round the switch is still lit and the unit can be restarted)
- Has there been a power supply failure or has the battery run down? (the LED on the charger should be lit). The Tower has to be restarted after a power failure.
- Has the unit overheated? The Tower switches off if the housing becomes too hot, to prevent overheating. The red light on the switch goes out and the unit must be allowed to cool down before it can be restarted.
- The fire is out and there is a long delay before ethanol is pumped into the fire tray. The red ring on the switch is lit. Clean the fire tray as described in Section 4.

## 5.7 SPILT ETHANOL CATCHES FIRE

If spilt ethanol catches fire, try to extinguish the flames immediately. You should use a foam fire extinguisher with alcohol-resistant foam, a powder extinguisher or a fire blanket. We strongly advise you to keep a suitable extinguisher handy at all times. If the fire takes hold and you are unable to extinguish it quickly, call the fire brigade straight away and follow their instructions

## 6. GENERAL WARRANTY TERMS AND CONDITIONS

### 6.1 SCOPE OF APPLICATION

These General Warranty Terms and Conditions apply to the relationship between the manufacturer, Spartherm Feuerungstechnik GmbH, and the dealer/ intermediary. They are not the same as the contract and warranty terms and conditions which the dealer/intermediary passes on or may pass on to its customers in a particular case.

### 6.2 GENERAL INFORM

This quality manufactured product is state of the art.

The materials used were meticulously selected and are constantly checked, as is our entire production process. Setting up or installing this product requires specialized knowledge. Our products may therefore only be installed and commissioned by specialized firms and in compliance with statutory regulations as amended.

### 6.3 WARRANTY PERIOD

The General Warranty Terms and Conditions apply only within the Federal Republic of Germany and the European Union. The warranty period and scope of the warranty in accordance with these terms and conditions shall apply apart from the statutory guarantee, which remains unaffected.

Spartherm Feuerungstechnik GmbH offers a 24-months' warranty on ebios-fire units (stand-alone and inserts).

Spartherm Feuerungstechnik GmbH offers a 6-months' warranty on wearing parts in the area of the fire, such as wicks, burner mats, gaskets and ceramics.

### 6.4 REQUIREMENT OF EFFECTIVENESS FOR THE WARRANTY

The warranty period starts on the date of delivery to the dealer/intermediary. This must be verified from a document such as an invoice with the dealer/ intermediary's confirmation of delivery. The warranty certificate relating to the product must be produced by the claimant when making a warranty claim. If such proof is not produced Spartherm Feuerungstechnik GmbH shall not be obliged to honour the warranty.

### 6.5 WARRANTY EXCLUSIONS

These guarantee provisions do not cover:

- Product wear
  - Wick / burner mat due to thermal load
- Surfaces:
  - Discolouration of the paintwork or the galvanised surfaces of the fire unit and/or the burner due to thermal load or overload.
- Glass:
  - Dirt caused by soot or burned-on residues of burnt materials. Colour changes or other visual changes caused by thermal load.
- Use of unsuitable or unspecified fuel. The recommended fuel for your ebios-fire is bioethanol with a concentration of more than 96%, marketed by Spartherm Feuerungstechnik GmbH.
- Incorrect transport and/or storage
- Careless handling of breakable parts such as glass and ceramics
- Improper handling and/or use
- Improperly fuelling the unit
- Lack of maintenance
- Lack of maintenance
- Failure to follow the installation and operating instructions
- Unauthorized modifications to the unit



## 6.6 DEFECT REMEDIATION / REPAIRS

Notwithstanding the statutory guarantee, which shall take precedence over our warranty during the statutory guarantee periods, within the scope of our warranty we will remedy free of charge all defects demonstrably due to a material fault or manufacturing error, provided that the other terms and conditions of this warranty undertaking are observed.

In accordance with this warranty undertaking Spartherm Feuerungstechnik GmbH reserves the right either to rectify the defect or to replace the unit free of charge. Rectification of defects shall take precedence. This warranty undertaking expressly does not cover further compensation exceeding the statutory guarantee.

## 6.7 EXTENSION OF WARRANTY

In the case of performance in accordance with the terms of the warranty, whether remediation of defects or replacement of a unit, the warranty period shall be extended in respect of the replacement unit/ components.

## 6.8 SPARE PARTS

No spare parts other than those produced or recommended by the manufacturer shall be used.

## 6.9 LIABILITY

Damage and compensation claims not based on a defective unit supplied by Spartherm Feuerungstechnik GmbH are excluded and are not covered by the warranty undertaking.

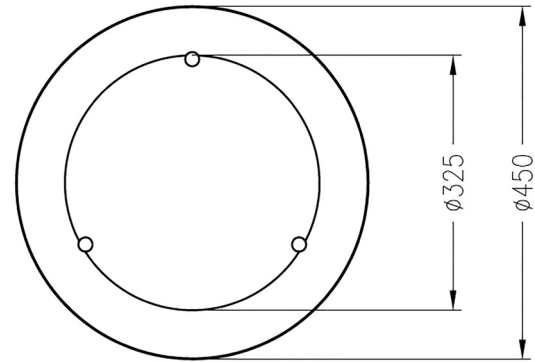
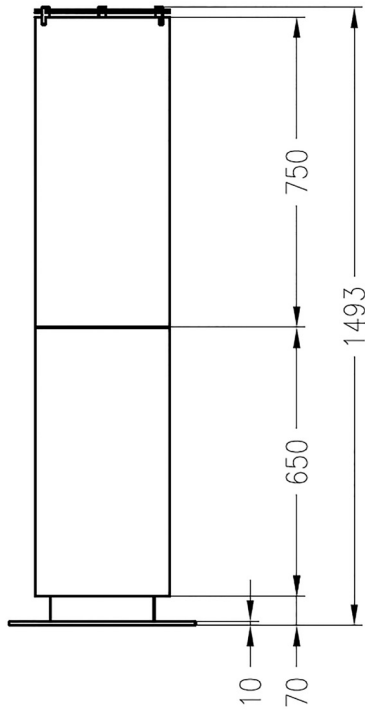
This does not apply to statutory warranty claims arising in a particular case.

## 6.10 NOTE

Your specialist dealer/contractor will gladly advise and assist you in matters not covered by our warranty terms and conditions and undertakings. We particularly advise you to have your ebios-fire products serviced regularly by a stove fitter/specialist dealer.

We reserve the right to make technical modifications and accept no liability for any errors.

## 7. DIMENSIONED DRAWINGS



Proprietorship of the manufacture and design is expressly reserved and full legal protection is claimed in accordance with Sections 823, 826 and 1004 of the German Civil Code. Unauthorized copying, distribution and reproduction, in full or in part, will be subject to civil and criminal prosecution under Sections 2 (7), 96 ff and 106 ff of the German Copyright Act and Sections 1, 3, 4, 18 and 19 of the Unfair Competition Act. Our General Terms of Sale and Delivery shall apply with regard to rights and their use. Proprietorship of the manufacture and design is expressly reserved and full legal protection is claimed in accordance with Section 823 of the German Civil Code.



# SPARTHERM

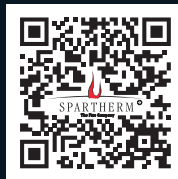
## DIE WELTMARKE FÜR IHR WOHNZIMMER

The Global brand for your living room | La référence mondiale pour votre salon | Il marchio mondiale per il vostro soggiorno

La marca mundial para su salón | Het merk van wereldformaat voor uw woonkamer | Światowa marka do Państwa salonu

Торговая марка № 1 для Вашего дома

D Ihr Fachhändler | UK Your specialist dealer | F Votre revendeur spécialisé  
IT Il vostro rivenditore specializzato | E Sus comercios especializados  
NL Uw vakhandelaar | PL Państwa sprzedawca | РУС Ваш дилер



SPARTHERM Feuerungstechnik GmbH · Maschweg 38 · D-49324 Melle  
Phone +49 (0) 5422 94 41-0 · Fax +49 (0) 5422 9441-14 · [www.spartherm.com](http://www.spartherm.com)